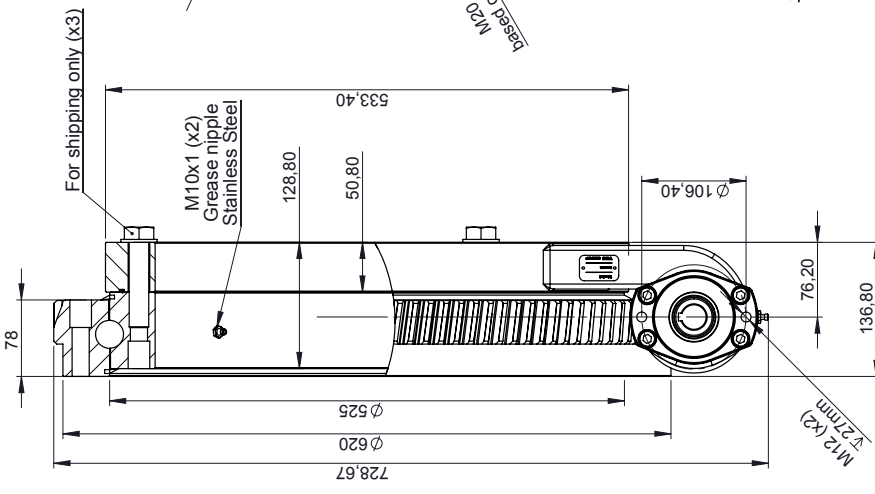
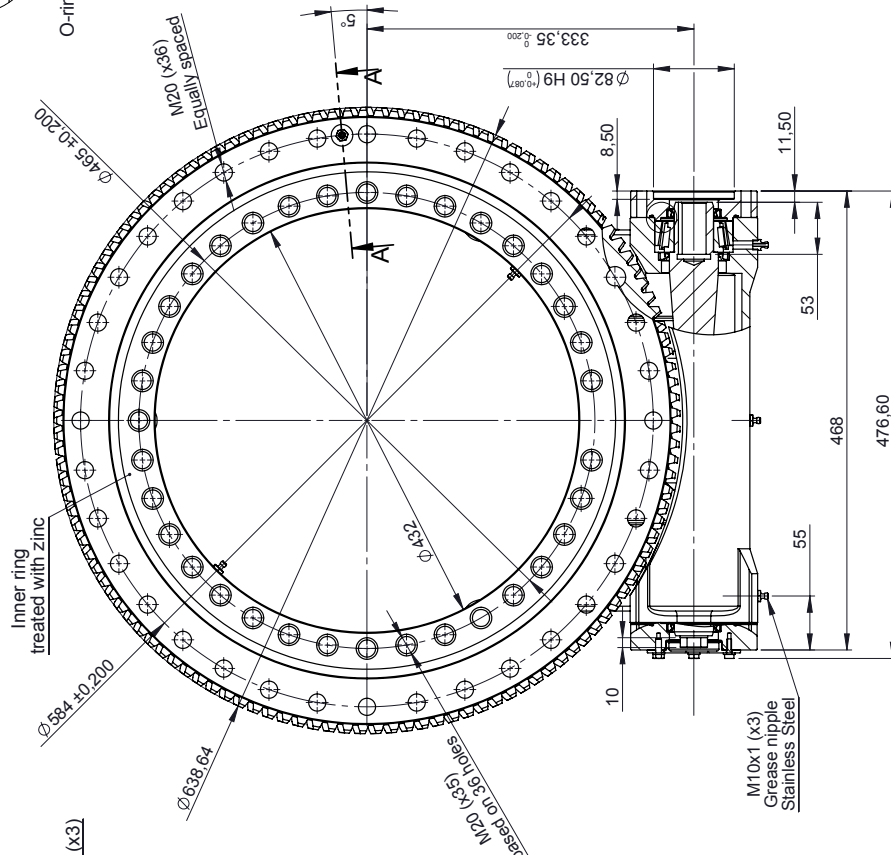
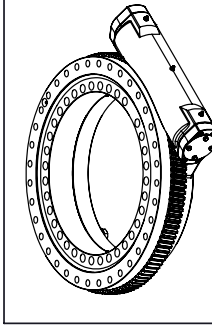
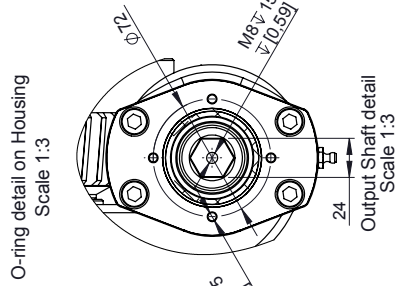
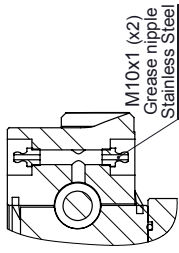
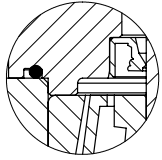
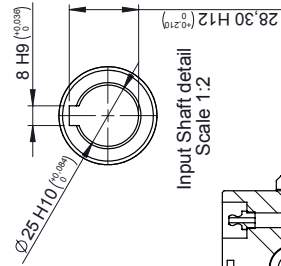


# TGO SERIES

## METRIC



**TGB GROUP**  
[www.tgbgroup.es](http://www.tgbgroup.es)

**TGB**

Reference: **TGO639-Z0-RM**

Denomination: Sales Drawing  
 WEIGHT [kg]: 129.69  
 NUM. PIECES: 1

MATERIAL: -  
 SCALE: -

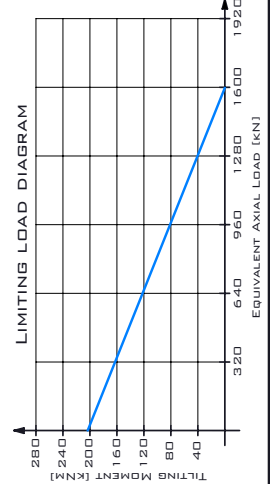
Rev: A

SHEET: 1 of 1

Units: mm

SHAFT: Ø25MM KEYS KEYED SHAFT  
 FLANGE: SAE - 2BOLT FLANGE

This document is the property of TGB Group. It is not to be used for copying or reproduction of any kind without the express written consent of TGB Group. TGB Group reserves the right to modify the design of the product without notice.



MAIN PERFORMANCE PARAMETERS	
GEAR RATIO	1.25:1
HOLDING TORQUE	95.2kNm
EFFICIENCY	40%
TILTING MOMENT	203.4kNm
SELF-LOCKING GEAR	YES
RADIAL STATIC LOAD	64kN
AXIAL STATIC LOAD	1.598kN
BACKLASH CLEARANCE	< 0.1 5°
RADIAL DYNAMIC LOAD	396kN
AXIAL DYNAMIC LOAD	384kN
NOMINAL TORQUE	23.500Nm

NOTES: ALL BEW DRIVE ARE PRE-LUBRICATED. MAXIMUM OUTPUT SPEED 1800 RPM.