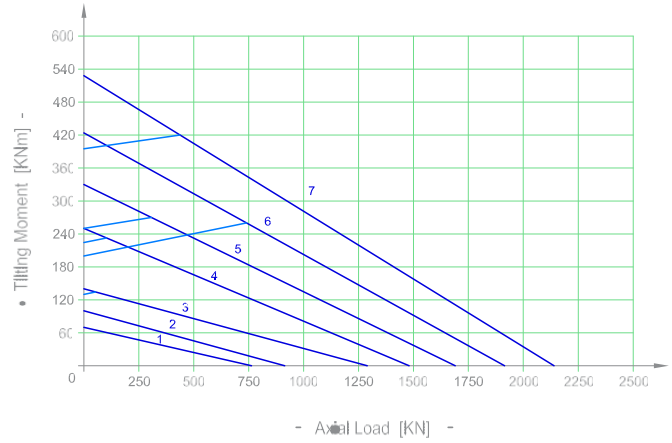
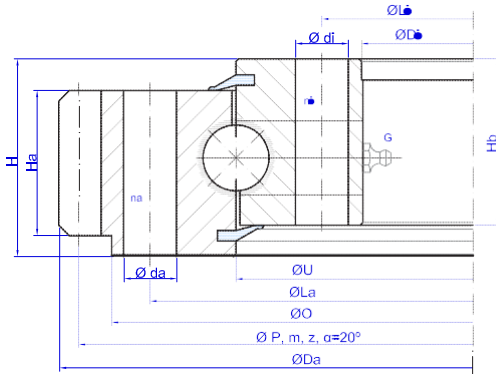


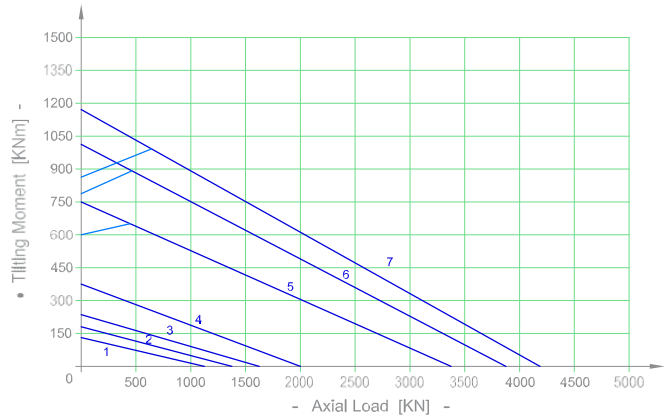
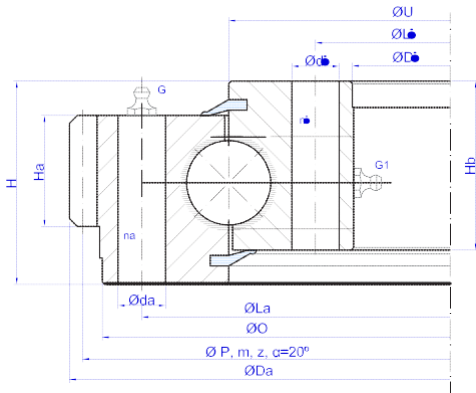
E.25.D



| Bearing Type       | Dimensions |      |       |       |       |       |      | Fixing |       |       |       |       | Gear teeth |       |     | Tooth Force |           | Mass      |           |
|--------------------|------------|------|-------|-------|-------|-------|------|--------|-------|-------|-------|-------|------------|-------|-----|-------------|-----------|-----------|-----------|
|                    | Da mm      | O mm | U mm  | Di mm | Ha mm | Hb mm | H mm | La mm  | na n° | da mm | Li mm | ni n° | di mm      | P mm  | m   | z n°        | Fz nor KN | Fz max KN | Weight KG |
| 1 E.535.25.00.D.1  | 535        | 495  | 401   | 306   | 55    | 63    | 75   | 466    | 18    | 20    | 336   | 18    | 20         | 520   | 8   | 65          | 34,2      | 47,9      | 65        |
| 2 E.589.25.15.D.1  | 589,5      | 565  | 475   | 384   | 40    | 63    | 75   | 540    | 36    | 16    | 410   | 36-1  | 16         | 580,5 | 4,5 | 129         | 14,9      | 21,4      | 60        |
| 3 E.595.25.00.D.6  | 595        | 565  | 477   | 382   | 50    | 55    | 65   | 540    | 18    | 17    | 410   | 18    | 17         | 585   | 5   | 117         | 19,5      | 27,3      | 58        |
| 4 E.864.25.00.D.5  | 864        | 835  | 771,5 | 680   | 57    | 65    | 82   | 800    | 24    | M16   | 706   | 24    | M16        | 852   | 6   | 142         | 26,9      | 37,7      | 85        |
| 5 E.972.25.00.D.3  | 972        | 942  | 854   | 766   | 58    | 60    | 70   | 912    | 36    | M16   | 796   | 36    | 18         | 960   | 6   | 160         | 27,4      | 38,4      | 108       |
| 6 E.1080.25.00.D.5 | 1080       | 1042 | 987   | 895   | 62    | 64    | 82   | 1015   | 30    | M16   | 922   | 30    | M16        | 1064  | 8   | 133         | 40,4      | 56,5      | 120       |
| 7 E.1200.25.00.D1  | 1200       | 1163 | 1078  | 982   | 50    | 55    | 65   | 1135   | 30    | 18    | 1012  | 30    | 18         | 1184  | 8   | 148         | 31,5      | 44,1      | 140       |

G, G1 = For the number and the position of the grease nipples, please ask for a detailed drawing of the bearing Ask for a detailed drawing of the bearing, values may differ.

E.32.D



| Bearing Type       | Dimensions |      |      |       |       |       |      | Fixing holes |       |       |       |       | Gear teeth |      |    | Tooth Force |           | Mass      |           |
|--------------------|------------|------|------|-------|-------|-------|------|--------------|-------|-------|-------|-------|------------|------|----|-------------|-----------|-----------|-----------|
|                    | Da mm      | O mm | U mm | Di mm | Ha mm | Hb mm | H mm | La mm        | na n° | da mm | Li mm | ni n° | di mm      | P mm | m  | z n°        | Fz nor KN | Fz max KN | Weight KG |
| 1 E.595.32.00.D.1  | 595        | 565  | 475  | 382   | 65    | 75    | 88   | 540          | 24    | 18    | 410   | 24-1  | 18         | 585  | 5  | 117         | 25,4      | 35,5      | 80        |
| 2 E.695.32.15.D.1  | 695        | 670  | 574  | 480   | 42    | 64    | 77   | 640          | 36    | 18    | 508   | 36-1  | 18         | 685  | 5  | 137         | 18,3      | 26,1      | 77        |
| 3 E.816.32.00.D.1  | 816        | 781  | 682  | 574   | 65    | 70    | 90   | 753          | 18    | 22    | 604   | 18    | 22         | 792  | 6  | 132         | 29,4      | 41,2      | 122       |
| 4 E.980.32.00.D.1  | 979        | 932  | 845  | 718   | 65    | 82    | 100  | 893          | 36    | 22    | 753   | 36-1  | 22         | 940  | 10 | 94          | 52,1      | 72,9      | 167       |
| 5 E.1144.32.15.D.1 | 1144       | 1090 | 993  | 870   | 67    | 84    | 100  | 1050         | 36    | 22    | 910   | 36-1  | 22         | 1110 | 10 | 111         | 60,9      | 87,2      | 230       |
| 6 E.1289.32.15.D.1 | 1289,5     | 1240 | 1116 | 985   | 78    | 94    | 114  | 1198         | 40    | 22    | 1035  | 40    | 22         | 1250 | 10 | 125         | 64,7      | 92,7      | 330       |
| 7 E.1380.32.15.D.1 | 1380       | 1330 | 1212 | 1100  | 80    | 94    | 114  | 1290         | 36    | 22    | 1135  | 36    | 22         | 1360 | 10 | 136         | 67,4      | 97,2      | 350       |

G, G1 = For the number and the position of the grease nipples, please ask for a detailed drawing of the bearing Ask for a detailed drawing of the bearing, values may differ.