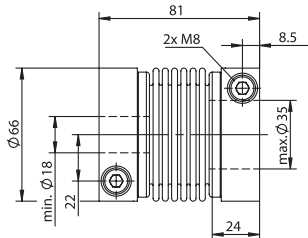
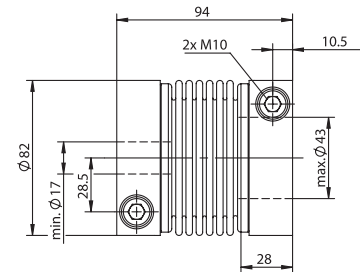


MKA-S-60

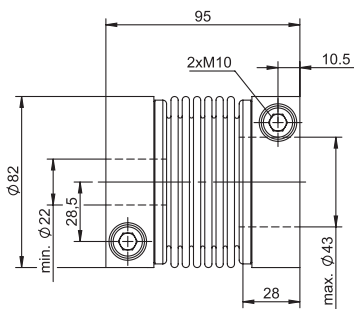


60 [Nm]	Nennmoment Nominal torque	100 [Nm]
37.7 [10 ³ Nm/rad]	Torsionssteife Torsional stiffness	63.2 [10 ³ Nm/rad]
262 [N/mm]	Laterale Federsteife Lateral spring stiffness	384 [N/mm]
49 [N/mm]	Axiale Federsteife Axial spring stiffness	45 [N/mm]
±0.18 [mm]	Max. lateraler Wellenversatz Max. lateral shaft misalignment	±0.2 [mm]
±0.9 [mm]	Max. axialer Wellenversatz Max. axial shaft misalignment	±1.3 [mm]
±1 [Grad] [Degree]	Max. angularer Wellenversatz Max. angular shaft misalignment	±1 [Grad] [Degree]
0.29 [10 ⁻³ kgm ²]	Trägheitsmoment Inertia torque	0.8 [10 ⁻³ kgm ²]
0.5 [kg]	Masse Mass	0.8 [kg]
M8 [DIN 912-10.9]	Klemmschrauben Clamping screws	M10 [DIN 912-10.9]
30 M _A [Nm]	Anzugsmoment der Schrauben Tightening torque of screws	50 M _A [Nm]
68.5 [ø mm]	Störkreis Swing circle	84.0 [ø mm]

MKA-S-100

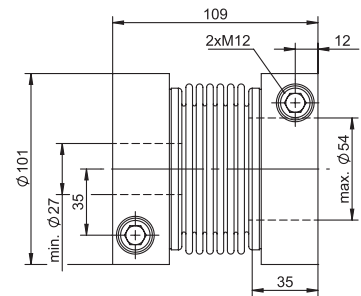


MKA-S-150

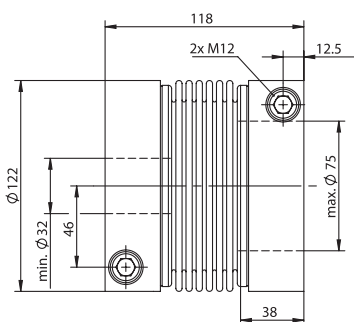


150 [Nm]	Nennmoment Nominal torque	200 [Nm]
76.5 [10 ³ Nm/rad]	Torsionssteife Torsional stiffness	89.3 [10 ³ Nm/rad]
473 [N/mm]	Laterale Federsteife Lateral spring stiffness	502 [N/mm]
80 [N/mm]	Axiale Federsteife Axial spring stiffness	78.5 [N/mm]
±0.2 [mm]	Max. lateraler Wellenversatz Max. lateral shaft misalignment	±0.2 [mm]
±1.2 [mm]	Max. axialer Wellenversatz Max. axial shaft misalignment	±1.25 [mm]
±1 [Grad] [Degree]	Max. angularer Wellenversatz Max. angular shaft misalignment	±1 [Grad] [Degree]
0.82 [10 ⁻³ kgm ²]	Trägheitsmoment Inertia torque	2.2 [10 ⁻³ kgm ²]
0.8 [kg]	Masse Mass	1.4 [kg]
M10 [DIN 912-10.9]	Klemmschrauben Clamping screws	M12 [DIN 912-10.9]
65 M _A [Nm]	Anzugsmoment der Schrauben Tightening torque of screws	115 M _A [Nm]
84.0 [ø mm]	Störkreis Swing circle	101.3 [ø mm]

MKA-S-200



MKA-S-350



350 [Nm]	Nennmoment Nominal torque	500 [Nm]
179.9 [10 ³ Nm/rad]	Torsionssteife Torsional stiffness	217.6 [10 ³ Nm/rad]
611 [N/mm]	Laterale Federsteife Lateral spring stiffness	765 [N/mm]
60 [N/mm]	Axiale Federsteife Axial spring stiffness	80 [N/mm]
±0.2 [mm]	Max. lateraler Wellenversatz Max. lateral shaft misalignment	±0.17 [mm]
±1.5 [mm]	Max. axialer Wellenversatz Max. axial shaft misalignment	±1.3 [mm]
±1 [Grad] [Degree]	Max. angularer Wellenversatz Max. angular shaft misalignment	±1 [Grad] [Degree]
2.4 [10 ⁻³ kgm ²]	Trägheitsmoment Inertia torque	4.6 [10 ⁻³ kgm ²]
1.5 [kg]	Masse Mass	2.1 [kg]
M12 [DIN 912-10.9]	Klemmschrauben Clamping screws	M12 [DIN 912-10.9]
115 M _A [Nm]	Anzugsmoment der Schrauben Tightening torque of screws	115 M _A [Nm]
123.5 [ø mm]	Störkreis Swing circle	123.5 [ø mm]

MKA-S-500

