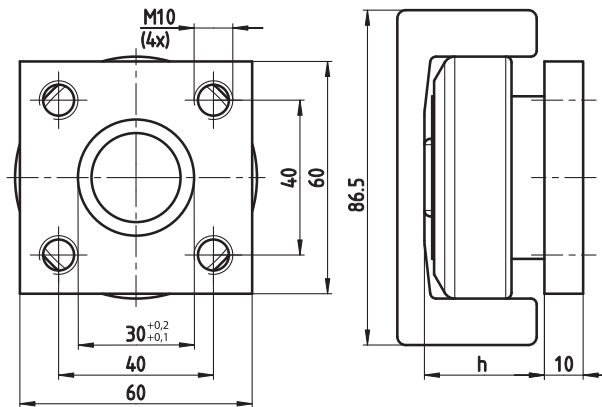


WINKEL-Rollen | WINKEL Bearings



AP 0-Q

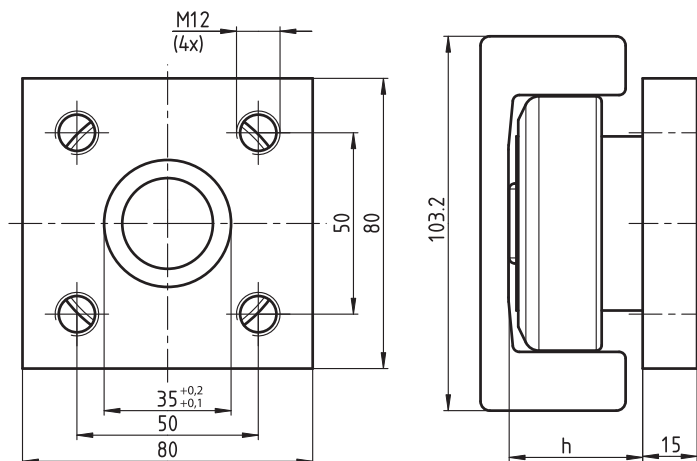
Artikel-Nr. 212.200.010
Article no.



| Typ Type | WINKEL-Rolle mit AP WINKEL Bearing with AP | Artikel-Nr. Article no. | Profil Profile | h mm h mm | Gewicht AP Weight AP | Distanzsteckbleche Washers |
|---------------------|---|----------------------------|-------------------|--------------|-------------------------|--|
| AP 0-Q | 2.054 + AP 0-Q | 205.061.004 | Standard 0 NbV | 26,5 | 0,28 kg | DS-0-0,5 DS-0-1,0 238.020.000 238.020.001 |
| | 4.054 + AP 0-Q | 200.051.003 | Standard 0 NbV | 30,5 | | |
| | 4.054 HT + AP 0-Q | 200.001.022 | Standard 0 NbV | 30,5 | | |
| | 4.454 + AP 0-Q | 201.031.002 | Standard 0 NbV | 30,5 - 32,0 | | |
| | 4.072 + AP 0-Q | 201.011.002 | Standard 0 NbV | 33,0 | | |
| | 4.072 P + AP 0-Q | 200.149.001 | Standard 0 NbV | 33,0 | | |
| | PR 2.054 + AP 0-Q | 205.071.003 | PR 0 NbV | 26,5 | | |
| | PR 4.054 + AP 0-Q | 200.100.003 | PR 0 NbV | 30,5 | | |
| | PR 4.454 + AP 0-Q | 200.114.002 | PR 0 NbV | 30,5 - 32,0 | | |
| | PR 4.072 + AP 0-Q | 200.107.001 | PR 0 NbV | 33,0 | | |
| PR 4.072 P + AP 0-Q | 200.011.007 | PR 0 NbV | 33,0 | | | |

AP 1-Q

Artikel-Nr. 212.200.011
Article no.



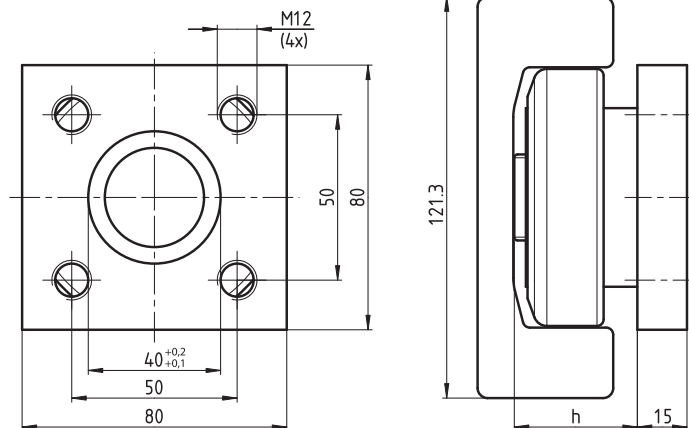
| Typ Type | WINKEL-Rolle mit AP WINKEL Bearing with AP | Artikel-Nr. Article no. | Profil Profile | h mm h mm | Gewicht AP Weight AP | Distanzsteckbleche Washers |
|---------------------|---|----------------------------|-------------------|--------------|-------------------------|--|
| AP 1-Q | 2.055 + AP 1-Q | 205.062.004 | Standard 1 NbV | 34,0 | 0,75 kg | DS-1-0,5 DS-1-1,0 238.021.000 238.021.001 |
| | 4.055 + AP 1-Q | 200.052.001 | Standard 1 NbV | 36,0 | | |
| | 4.055 HT + AP 1-Q | 200.002.007 | Standard 1 NbV | 36,0 | | |
| | 4.455 + AP 1-Q | 201.032.002 | Standard 1 NbV | 36,0 - 37,5 | | |
| | 4.073 + AP 1-Q | 201.012.000 | Standard 1 NbV | 40,0 | | |
| | 4.073 P + AP 1-Q | 200.012.006 | Standard 1 NbV | 40,0 | | |
| | PR 2.055 + AP 1-Q | 205.072.002 | PR 1 NbV | 34,0 | | |
| | PR 4.055 + AP 1-Q | 200.101.003 | PR 1 NbV | 36,0 | | |
| | PR 4.455 + AP 1-Q | 200.115.002 | PR 1 NbV | 36,0 - 37,5 | | |
| | PR 4.073 + AP 1-Q | 200.108.002 | PR 1 NbV | 40,0 | | |
| PR 4.073 P + AP 1-Q | 200.014.003 | PR 1 NbV | 40,0 | | | |

WINKEL-Rollen | WINKEL Bearings



AP 2-Q

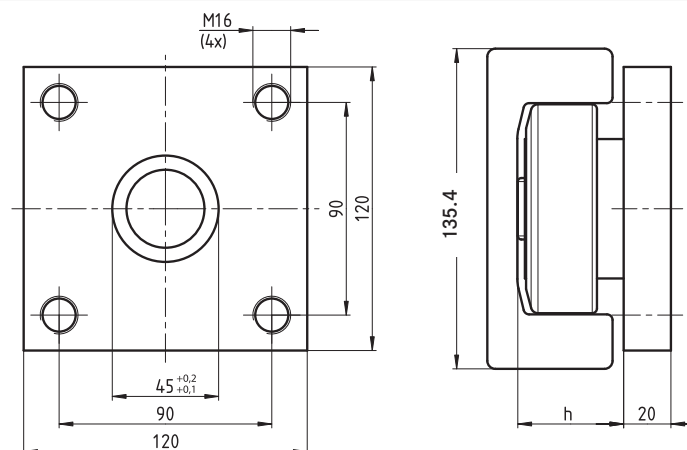
Artikel-Nr. 212.200.012
Article no.



| Typ Type | WINKEL-Rolle mit AP WINKEL Bearing with AP | Artikel-Nr. Article no. | Profil Profile | h mm h mm | Gewicht AP Weight AP | Distanzsteckbleche Washers |
|---------------------|---|----------------------------|-------------------|--------------|-------------------------|--|
| AP 2-Q | 2.056 + AP 2-Q | 205 .107 .001 | Standard 2 NbV | 34,0 | 0,75 kg | DS-2-0,5 DS-2-1,0 238.021.000 238.021.001 |
| | 4.056 + AP 2-Q | 200 .053.001 | Standard 2 NbV | 36,5 | | |
| | 4.056 HT + AP 2-Q | 200 .003.022 | Standard 2 NbV | 36,5 | | |
| | 4.456 + AP 2-Q | 201 .033.003 | Standard 2 NbV | 37,0 - 38,5 | | |
| | 4.074 + AP 2-Q | 201 .013 .000 | Standard 2 NbV | 39,5 | | |
| | 4.074 P + AP 2-Q | 200 .013 .009 | Standard 2 NbV | 39,5 | | |
| | PR 2.056 + AP 2-Q | 205 .073.003 | PR 2 NbV | 34,0 | | |
| | PR 4.056 + AP 2-Q | 200 .066.001 | PR 2 NbV | 36,5 | | |
| | PR 4.456 + AP 2-Q | 200 .116 .002 | PR 2 NbV | 37,0 - 38,5 | | |
| | PR 4.074 + AP 2-Q | 200 .109 .003 | PR 2 NbV | 39,5 | | |
| PR 4.074 P + AP 2-Q | 200 .013 .035 | PR 2 NbV | 39,5 | | | |

AP 3-Q

Artikel-Nr. 212.006.000
Article no.

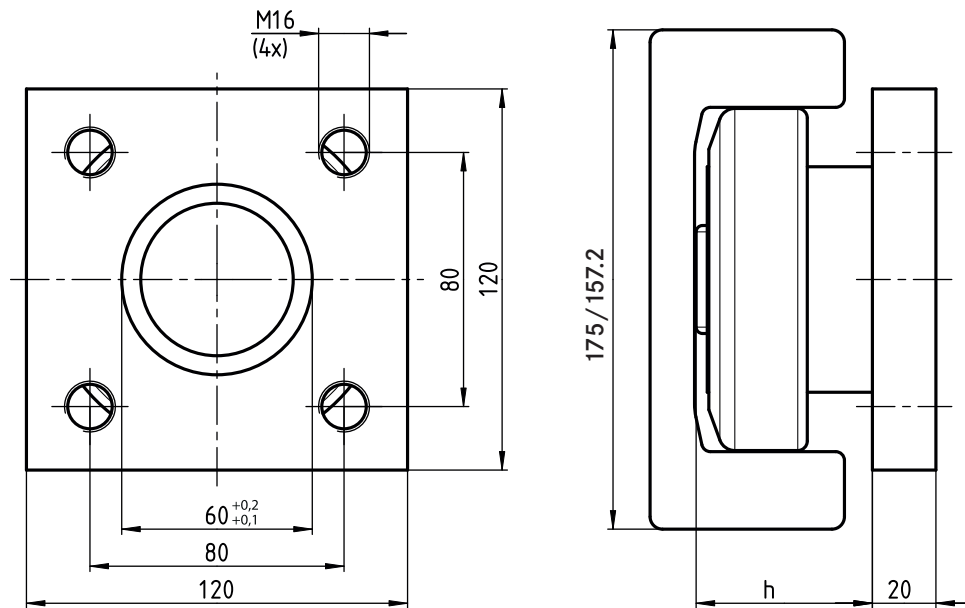


| Typ Type | WINKEL-Rolle mit AP WINKEL Bearing with AP | Artikel-Nr. Article no. | Profil Profile | h mm h mm | Gewicht AP Weight AP | Distanzsteckbleche Washers |
|---------------------|---|----------------------------|-------------------|--------------|-------------------------|--|
| AP 3-Q | 2.058 + AP 3-Q | 205 .064.003 | Standard 3 NbV | 41,0 | 1,85 kg | DS-3-0,5 DS-3-1,0 238.022.000 238.022.001 |
| | 4.058 + AP 3-Q | 200 .054.000 | Standard 3 NbV | 44,0 | | |
| | 4.058 HT + AP 3-Q | 200 .005.018 | Standard 3 NbV | 44,0 | | |
| | 4.458 + AP 3-Q | 201 .035.003 | Standard 3 NbV | 44,0 - 45,5 | | |
| | 4.076 + AP 3-Q | 201 .017 .000 | Standard 3 NbV | 48,0 | | |
| | 4.076 P + AP 3-Q | 200 .015 .010 | Standard 3 NbV | 48,0 | | |
| | PR 2.058 + AP 3-Q | 205 .074 .001 | PR 3 NbV | 41,0 | | |
| | PR 4.058 + AP 3-Q | 200 .140 .000 | PR 3 NbV | 44,0 | | |
| | PR 4.458 + AP 3-Q | 200 .117 .003 | PR 3 NbV | 44,0 - 45,5 | | |
| | PR 4.076 + AP 3-Q | 200 .110 .002 | PR 3 NbV | 48,0 | | |
| PR 4.076 P + AP 3-Q | 200 .015 .011 | PR 3 NbV | 48,0 | | | |

WINKEL-Rollen | WINKEL Bearings



AP 4-Q

 Artikel-Nr. 212.200.014
 Article no.


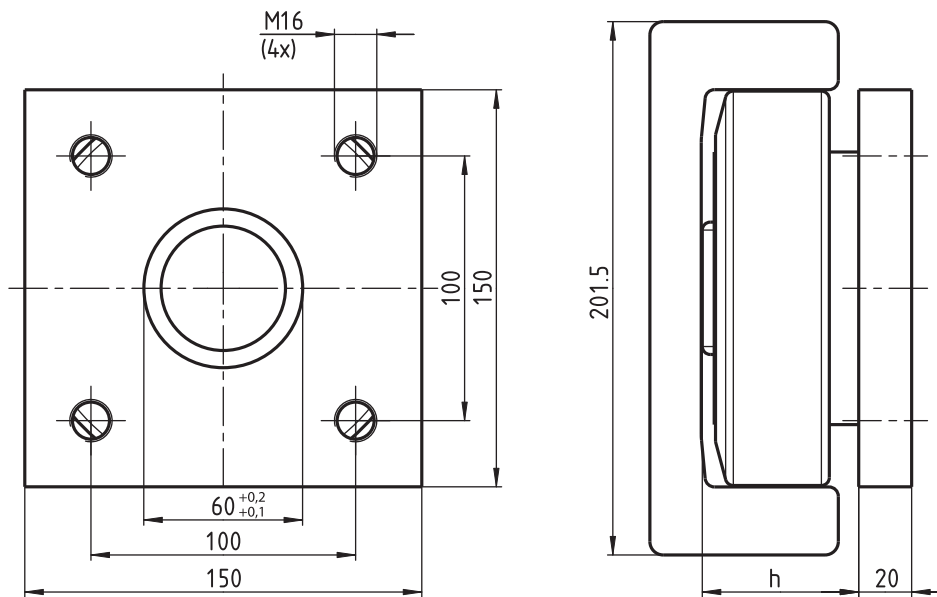
| Typ Type | WINKEL-Rolle mit AP WINKEL Bearing with AP | Artikel-Nr. Article no. | Profil Profile | h mm h mm | Gewicht AP Weight AP | Distanzsteckbleche Washers |
|---------------------|---|----------------------------|-------------------|--------------|-------------------------|---|
| AP 4-Q | 2.061 + AP 4-Q | 205.108.001 | Standard 4 NbV | 51,5 | 2,2 kg | DS-4-0,5 DS-4-1,0 238.023.000 238.023.001 |
| | 4.061 + AP 4-Q | 200.055.001 | Standard 4 NbV | 55,0 | | |
| | 4.061 HT + AP 4-Q | 200.008.010 | Standard 4 NbV | 55,0 | | |
| | 4.461 + AP 4-Q | 201.038.002 | Standard 4 NbV | 55,0 - 57,0 | | |
| | 4.0784 + AP 4-Q | 200.016.003 | Standard 4 NbV | 55,0 | | |
| | 4.0784 P + AP 4-Q | 200.016.011 | Standard 4 NbV | 55,0 | | |
| | PR 2.061 + AP 4-Q | 205.075.002 | PR 4 NbV | 51,5 | | |
| | PR 4.061 + AP 4-Q | 200.104.002 | PR 4 NbV | 55,0 | | |
| | PR 4.461 + AP 4-Q | 200.118.002 | PR 4 NbV | 55,0 - 57,0 | | |
| | PR 4.0784 + AP 4-Q | 200.111.002 | PR 4 NbV | 55,0 | | |
| | PR 4.0784 P + AP 4-Q | 200.067.002 | PR 4 NbV | 55,0 | | |
| | 2.062 + AP 4-Q | 205.066.002 | Standard 5 NbV | 51,5 | | |
| | 4.062 + AP 4-Q | 200.076.001 | Standard 5 NbV | 56,0 | | |
| | 4.062 HT + AP 4-Q | 200.009.025 | Standard 5 NbV | 56,0 | | |
| | 4.462 + AP 4-Q | 201.039.002 | Standard 5 NbV | 56,0 - 60,0 | | |
| | 4.079 + AP 4-Q | 201.015.001 | Standard 5 NbV | 59,5 | | |
| | 4.079 P + AP 4-Q | 200.018.005 | Standard 5 NbV | 59,5 | | |
| | PR 2.062 + AP 4-Q | 205.076.002 | PR 5 NbV | 51,5 | | |
| | PR 4.062 + AP 4-Q | 200.105.002 | PR 5 NbV | 56,0 | | |
| | PR 4.462 + AP 4-Q | 200.119.002 | PR 5 NbV | 56,0 - 60,0 | | |
| PR 4.079 + AP 4-Q | 200.112.002 | PR 5 NbV | 59,5 | | | |
| PR 4.079 P + AP 4-Q | 200.154.002 | PR 5 NbV | 59,5 | | | |

WINKEL-Rollen | WINKEL Bearings



AP 6-Q

Artikel-Nr. 212.200.016
Article no.



| Typ Type | WINKEL-Rolle mit AP WINKEL Bearing with AP | Artikel-Nr. Article no. | Profil Profile | h mm h mm | Gewicht AP Weight AP | Distanzsteckbleche Washers |
|---------------------|---|----------------------------|-------------------|--------------|-------------------------|--|
| AP 6-Q | 2.063 + AP 6-Q | 205.067.003 | Standard 6 NbV | 54,0 | 3,4 kg | DS-6-0,5 DS-6-1,0 238.024.000 238.024.001 |
| | 4.063 + AP 6-Q | 200.056.001 | Standard 6 NbV | 58,5 | | |
| | 4.063 HT + AP 6-Q | 200.010.037 | Standard 6 NbV | 58,5 | | |
| | 4.463 + AP 6-Q | 201.040.002 | Standard 6 NbV | 58,5 - 62,5 | | |
| | 4.080 + AP 6-Q | 200.019.004 | Standard 6 NbV | 69,0 | | |
| | 4.080 P + AP 6-Q | 201.016.001 | Standard 6 NbV | 62,0 | | |
| | PR 2.063 + AP 6-Q | 205.077.002 | PR 6 NbV | 54,0 | | |
| | PR 4.063 + AP 6-Q | 200.106.003 | PR 6 NbV | 58,5 | | |
| | PR 4.463 + AP 6-Q | 200.120.002 | PR 6 NbV | 58,5 - 62,5 | | |
| | PR 4.080 + AP 6-Q | 200.113.002 | PR 6 NbV | 69,0 | | |
| PR 4.080 P + AP 6-Q | 200.155.002 | PR 6 NbV | 62,0 | | | |



Anschaubplatten quadratisch für Jumbo-WINKEL-Rollen

WINKEL-Rollen mit Anschraubplatten sind fertige Systemelemente für schraubbare Verbindungen zwischen Konstruktion und Führungsprofil.

- alle Anschraubplatten mit eingeschweißter WINKEL-Rolle
- Axiale Justierung mit Distanzsteckbleche Typ DS
- alle Anschraubplatten in brüniertem Ausführung
- Material: S235 JR

Sonderausführungen auf Anfrage.

CAD Download in 2D/3D unter www.winkel.de

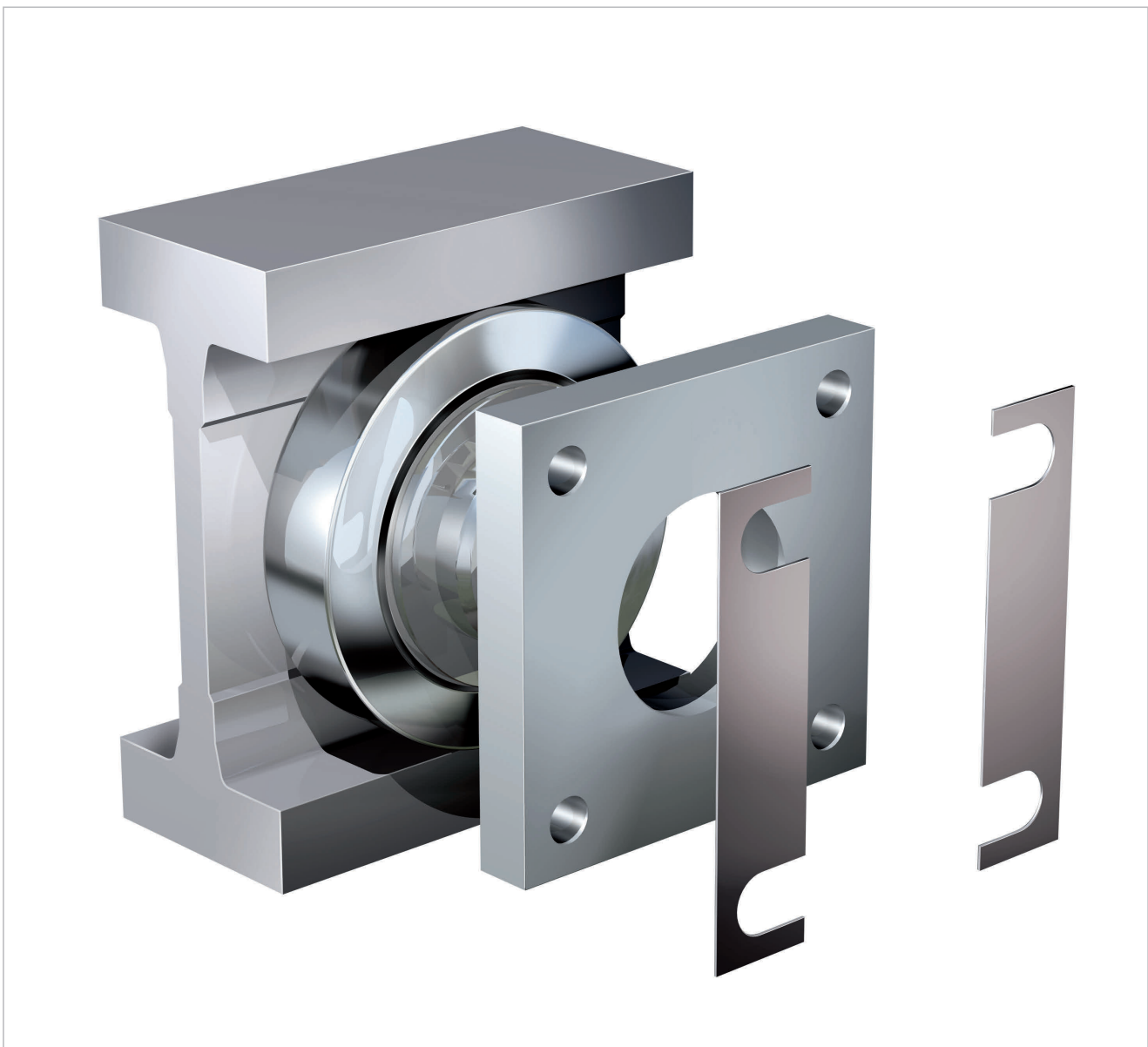
Flange plates square for Jumbo WINKEL Bearings

WINKEL flange plates in combination with WINKEL Bearings are suitable for screw joints between construction and guide profile.

- all flange plates are welded with WINKEL Bearings
- axial adjusting with washers type DS
- all flange plates in corrosion protected version
- material: S235 JR

Special designs on request.

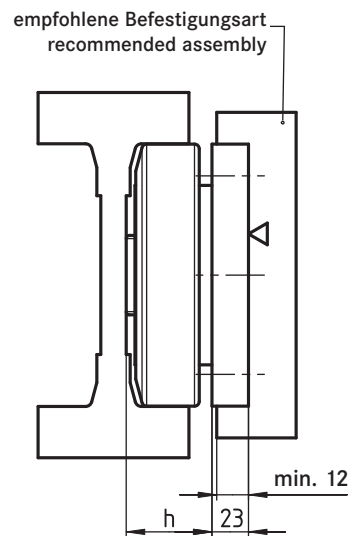
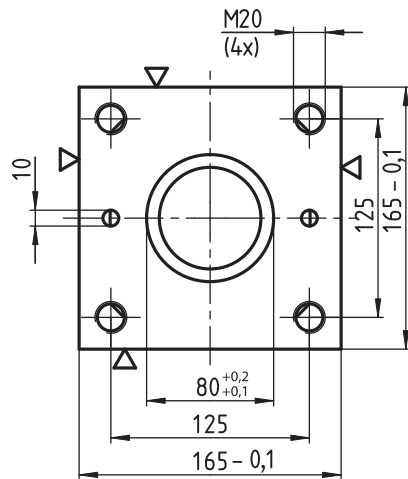
CAD download in 2D/3D at www.winkel.de



WINKEL-Rollen | WINKEL Bearings

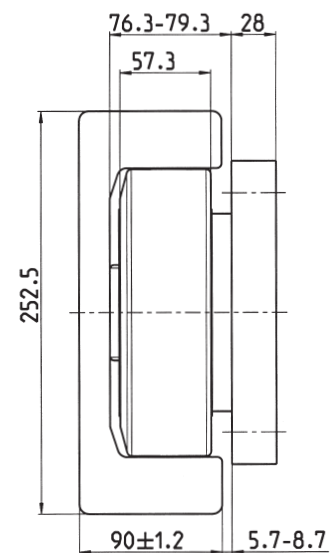
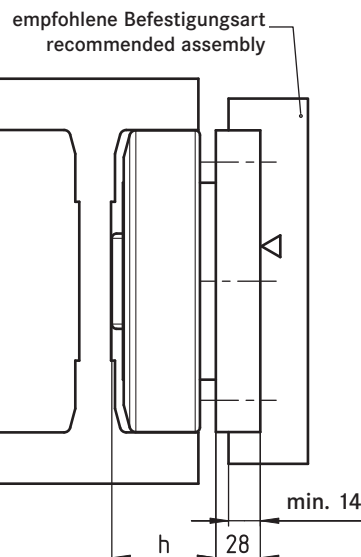
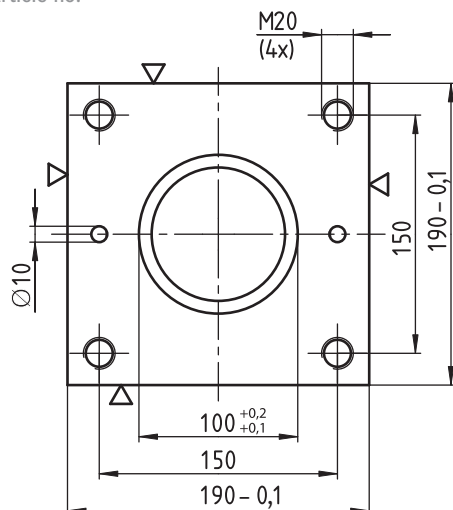


AP 89-Q

 Artikel-Nr. 212.200.001
 Article no.


| Typ Type | WINKEL-Rolle mit AP WINKEL Bearing with AP | Artikel-Nr. Article no. | Profil Profile | h mm h mm | Gewicht AP Weight AP | Distanzsteckbleche Washers | |
|-------------|---|----------------------------|-------------------|--------------|-------------------------|-------------------------------|--------------------------|
| AP 89-Q | 4.089 + AP 89-Q | 201.050.002 | Standard 10 | 53-56 | 4,9 kg | DS-89-0,5 238.033.000 | DS-89-1,0 238.033.001 |

AP 90-Q

 Artikel-Nr. 212.200.002
 Article no.


St. 16

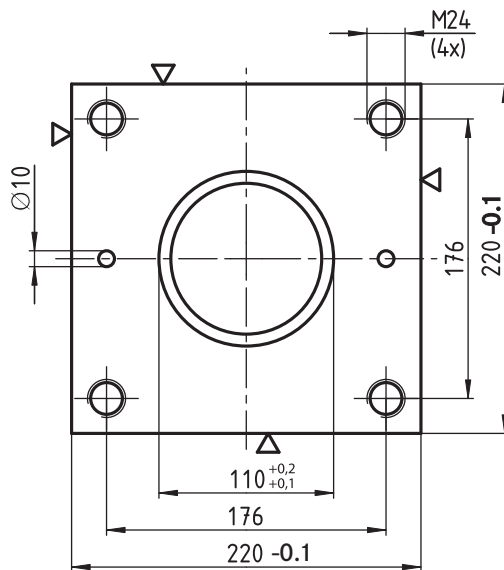
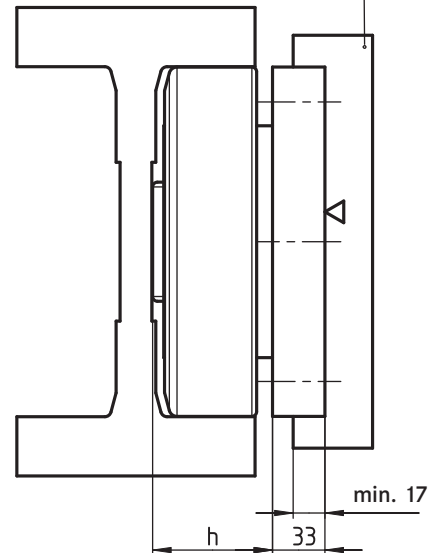
St. 8 NbV

| Typ Type | WINKEL-Rolle mit AP WINKEL Bearing with AP | Artikel-Nr. Article no. | Profil Profile | h mm h mm | Gewicht AP Weight AP | Distanzsteckbleche Washers | |
|-------------|---|----------------------------|-------------------|--------------|-------------------------|-------------------------------|--------------------------|
| AP 90-Q | 4.085 + AP 90-Q | 201.049.004 | Standard 8 NbV | 76,3-79,3 | 7,9 | DS-90-0,5 238.034.000 | DS-90-1,0 238.034.001 |
| | 4.090 + AP 90-Q | 200.057.000 | Standard 16 | 64,5-67,5 | 7,9 | | |

WINKEL-Rollen | WINKEL Bearings

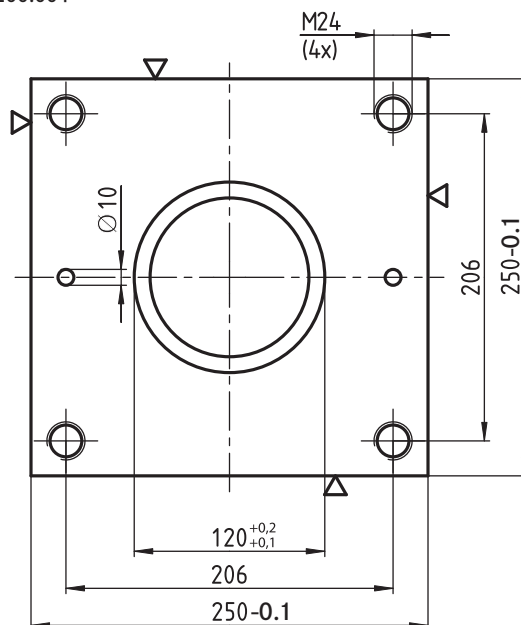
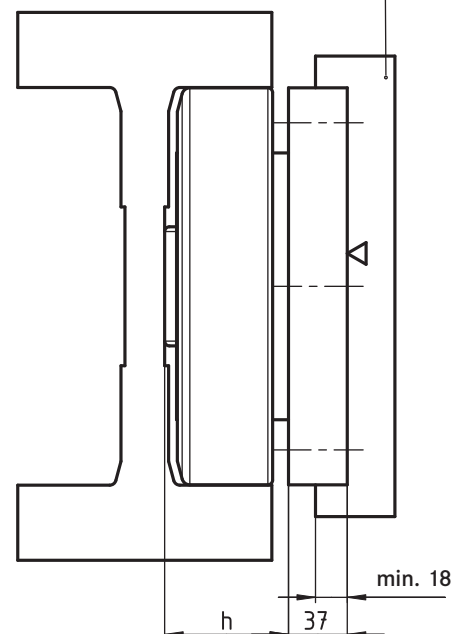


AP 91-Q

 Artikel-Nr. 212.200.003
 Article no.

 empfohlene Befestigungsart
 recommended assembly


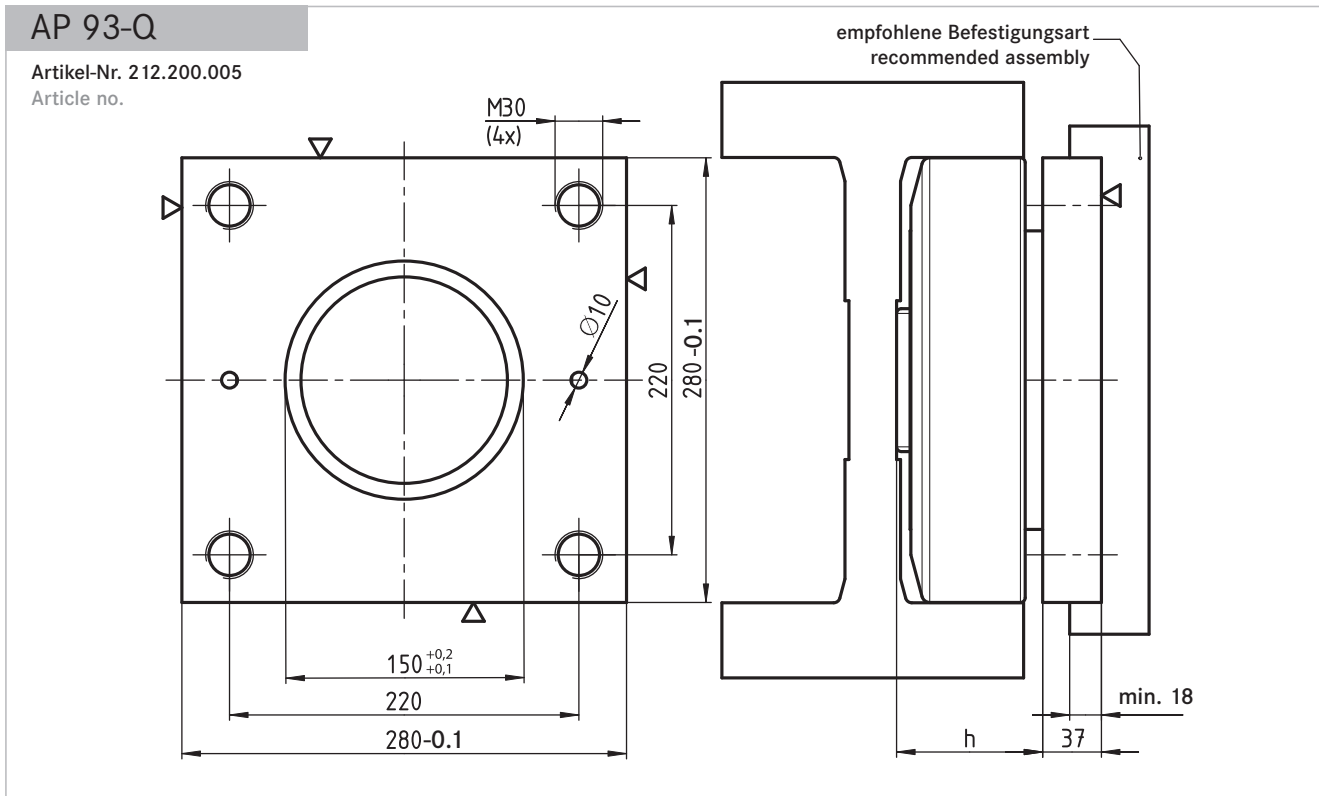
| Typ Type | WINKEL-Rolle mit AP WINKEL Bearing with AP | Artikel-Nr. Article no. | Profil Profile | h mm h mm | Gewicht AP Weight AP | Distanzsteckbleche Washers | |
|-------------|---|----------------------------|-------------------|--------------|-------------------------|-------------------------------|--------------------------|
| AP 91-Q | 4.091 + AP 91-Q | 201.052.002 | Standard 18 | 74,5-77,5 | 12,5 kg | DS-91-0,5 238.035.000 | DS-91-1,0 238.035.001 |

AP 92-Q

 Artikel-Nr. 212.200.004
 Article no.

 empfohlene Befestigungsart
 recommended assembly


| Typ Type | WINKEL-Rolle mit AP WINKEL Bearing with AP | Artikel-Nr. Article no. | Profil Profile | h mm h mm | Gewicht AP Weight AP | Distanzsteckbleche Washers | |
|-------------|---|----------------------------|-------------------|--------------|-------------------------|-------------------------------|--------------------------|
| AP 92-Q | 4.092 + AP 92-Q | 201.053.001 | Standard 28 | 77-80 | 18,0 kg | DS-92-0,5 238.036.000 | DS-92-1,0 238.036.001 |

WINKEL-Rollen | WINKEL Bearings



| Typ Type | WINKEL-Rolle mit AP WINKEL Bearing with AP | Artikel-Nr. Article no. | Profil Profile | h mm h mm | Gewicht AP Weight AP | Distanzsteckbleche Washers |
|-------------|---|----------------------------|----------------------------|---------------|-------------------------|--|
| AP 93-Q | 4.093 + AP 93 Q | 201.054.001 | Standard 36 Standard 42 | 89,5- 93,5 | 22,0 | DS-93-0,5 DS-93-1,0 238.037.000 238.037.001 |
| | 4.094 + AP 93 Q | 201.055.001 | Standard 50 | 110,0 - 114,0 | | |



Anschraubplatten quadratisch für WINKEL-Rollen und Radiallager

WINKEL-Rollen mit Anschraubplatten sind fertige Systemelemente für schraubbare Verbindungen zwischen Konstruktion und Führungsprofil.

- alle Anschraubplatten mit eingeschweißter WINKEL-Rolle
- axiale Justierung mit Distanzsteckbleche Typ DS
- alle Anschraubplatten in brüniertem Ausführung
- Material: S235 JR

Sonderausführungen auf Anfrage.

Flange plates square for WINKEL Bearings and Radial Bearings

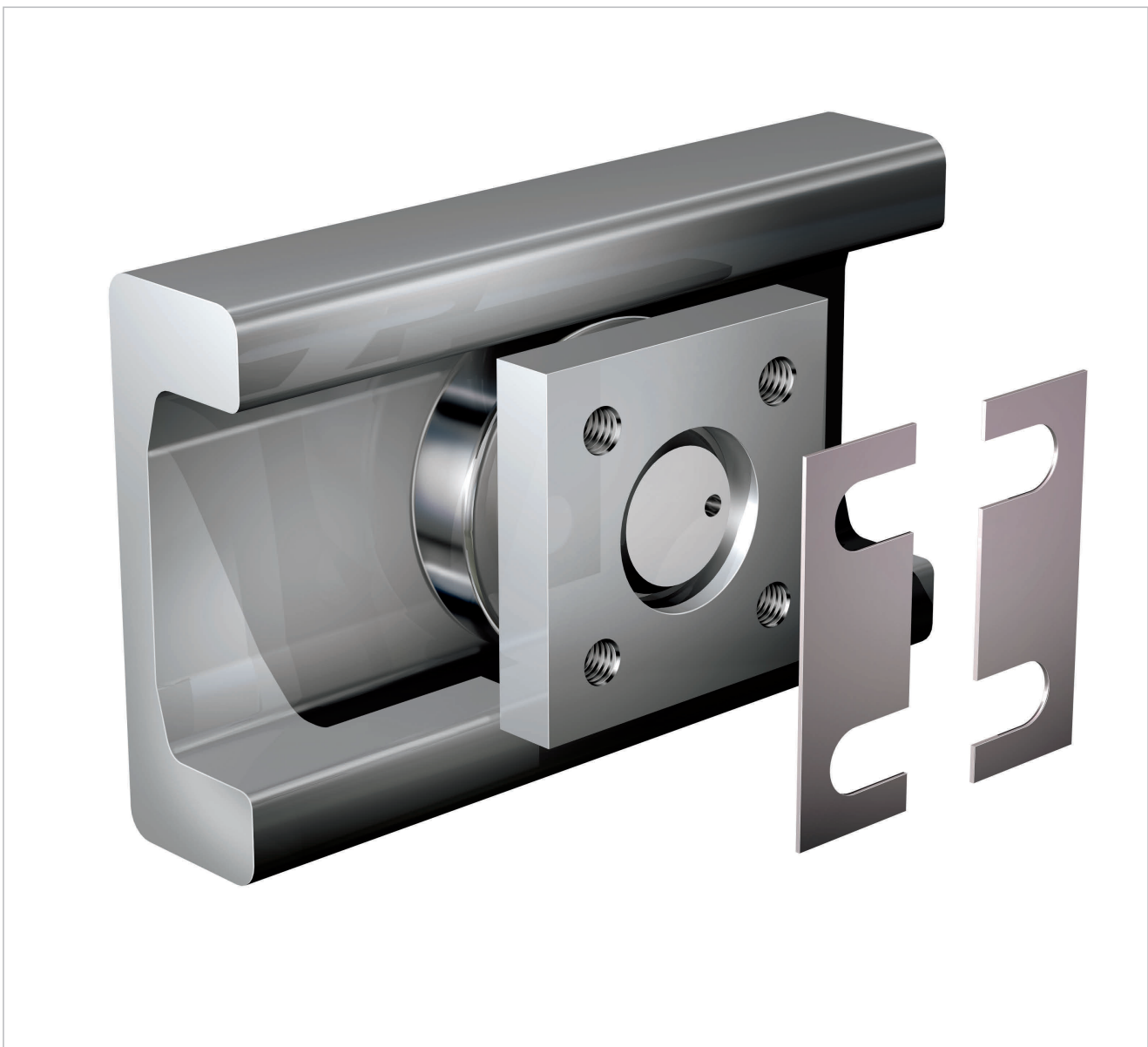
WINKEL flange plates in combination with WINKEL Bearings are suitable for screw joints between construction and guide profile.

- all flange plates are welded with WINKEL Bearings
- axial adjusting with washers type DS
- all flange plates in corrosion protected version
- material S235 JR

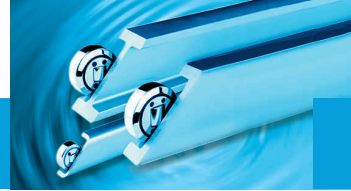
Special designs on request.

CAD Download in 2D/3D unter www.winkel.de

CAD download in 2D/3D at www.winkel.de

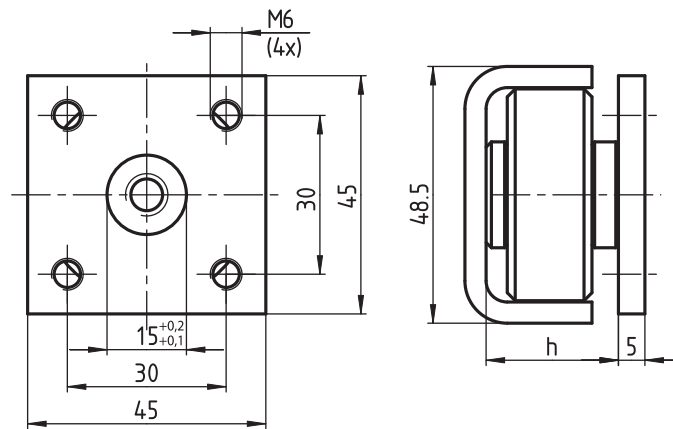


WINKEL-Rollen | WINKEL Bearings



AP A-Q

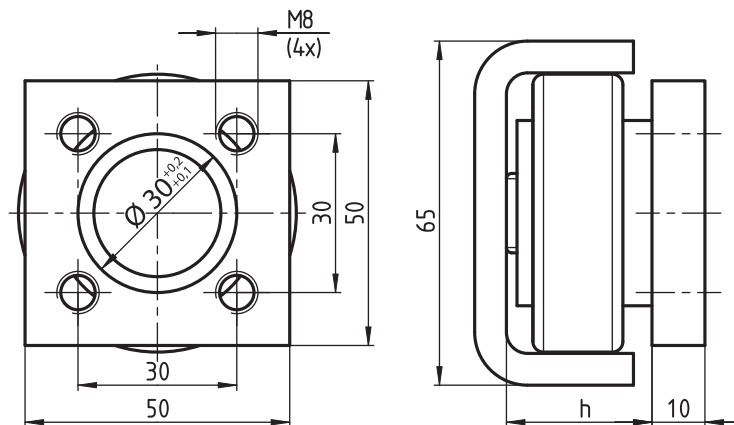
Artikel-Nr. 212.200.101
Article no.



| Typ Type | WINKEL-Rolle mit AP WINKEL Bearing with AP | Artikel-Nr. Article no. | Profil Profile | h mm h mm | Gewicht AP Weight AP | Distanzsteckbleche Washers | |
|-------------|---|----------------------------|-------------------|--------------|-------------------------|-------------------------------|-------------------------|
| AP A-Q | 4.052 P + AP A-Q | 201.032.003 | Standard A | 25,0 | 0,10 kg | DS-A-0,5 238.026.000 | DS-A-1,0 238.026.001 |

AP S-Q

Artikel-Nr. 212.200.102
Article no.



| Typ Type | WINKEL-Rolle mit AP WINKEL Bearing with AP | Artikel-Nr. Article no. | Profil Profile | h mm h mm | Gewicht AP Weight AP | Distanzsteckbleche Washers | |
|-------------|---|----------------------------|-------------------|--------------|-------------------------|-------------------------------|-------------|
| AP S-Q | 4.053 + AP S-Q | 200.071.001 | Standard S | 27,0 | 0,20 kg | DS-S-0,5 | DS-S-1,0 |
| | 4.053 HT + AP S-Q | 200.024.019 | Standard S | 27,0 | | 238.025.000 | 238.025.001 |