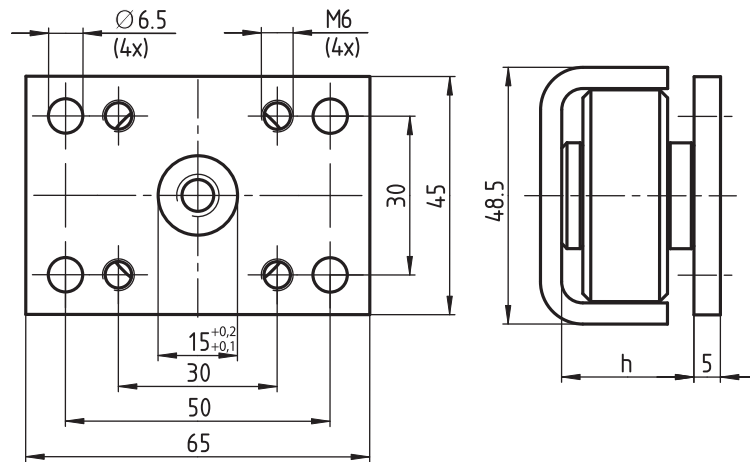


WINKEL-Rollen | WINKEL Bearings

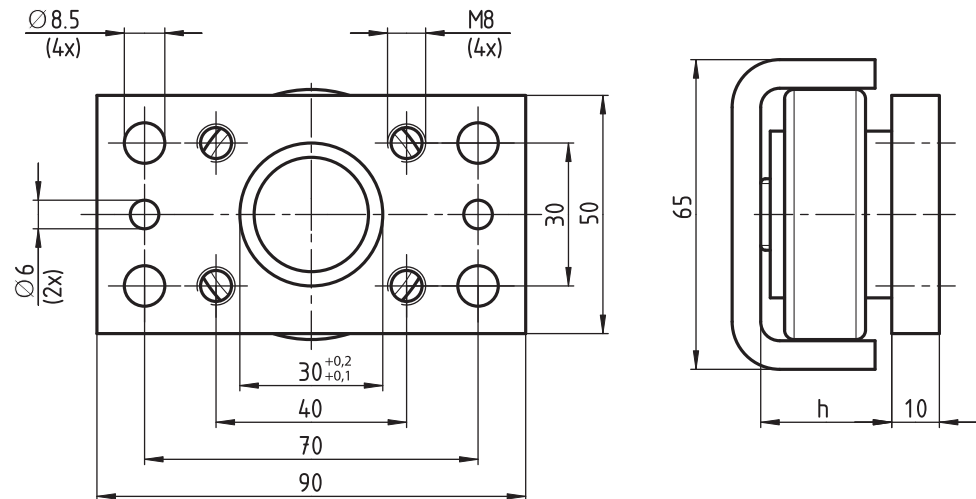


AP A

 Artikel-Nr. 212.042.000
 Article no.


Typ Type	WINKEL-Rolle mit AP WINKEL Bearing with AP	Artikel-Nr. Article no.	Profil Profile	h mm h mm	Gewicht AP Weight AP	Distanzsteckbleche Washers	
AP A	4.052 P + AP A	200.132.000	Standard A	25,0	0,10 kg	DS-A-0,5 238.026.000	DS-A-1,0 238.026.001

AP S

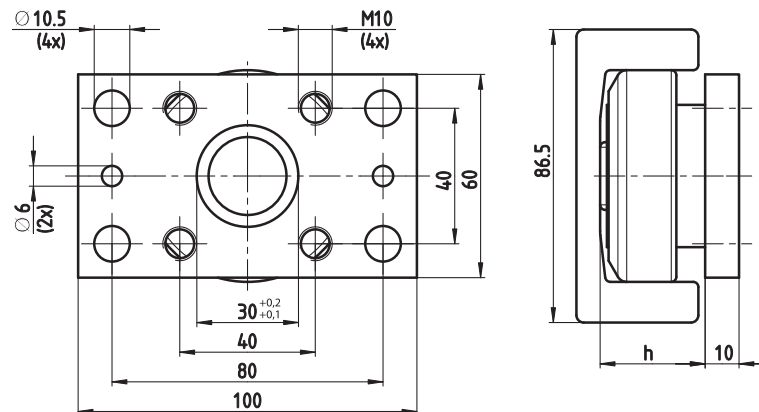
 Artikel-Nr. 212.014.000
 Article no.


Typ Type	WINKEL-Rolle mit AP WINKEL Bearing with AP	Artikel-Nr. Article no.	Profil Profile	h mm h mm	Gewicht AP Weight AP	Distanzsteckbleche Washer	
AP S	4.053 + AP S	200.071.000	Standard S	27,0	0,25 kg	DS-S-0,5 238.025.000	DS-S-1,0 238.025.001
	4.053 HT + AP S	200.024.012	Standard S	27,0			

WINKEL-Rollen | WINKEL Bearings

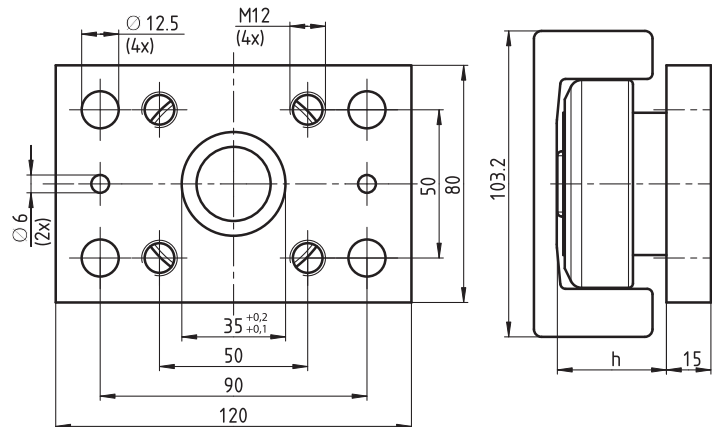


AP 0

 Artikel-Nr. 212.003.000
 Article no.


Typ Type	WINKEL-Rolle mit AP WINKEL Bearing with AP	Artikel-Nr. Article no.	Profil Profile	h mm h mm	Gewicht AP Weight AP	Distanzsteckbleche Washers
AP 0	2.054 + AP 0	205.061.003	Standard 0 NbV	26,5	0,35 kg	DS-0-0,5 DS-0-1,0 238.020.000 238.020.001
	4.054 + AP 0	200.051.000	Standard 0 NbV	30,5		
	4.054 HT + AP 0	200.001.021	Standard 0 NbV	30,5		
	4.454 + AP 0	201.031.001	Standard 0 NbV	30,5 - 32,0		
	4.072 + AP 0	201.011.000	Standard 0 NbV	33,0		
	4.072 P + AP 0	200.149.000	Standard 0 NbV	33,0		
	PR 2.054 + AP 0	205.071.002	PR 0 NbV	26,5		
	PR 4.054 + AP 0	200.100.002	PR 0 NbV	30,5		
	PR 4.454 + AP 0	200.114.001	PR 0 NbV	30,5 - 32,0		
	PR 4.072 + AP 0	200.107.001	PR 0 NbV	33,0		
PR 4.072 P + AP 0	200.011.008	PR 0 NbV	33,0			

AP 1

 Artikel-Nr. 212.004.000
 Article no.


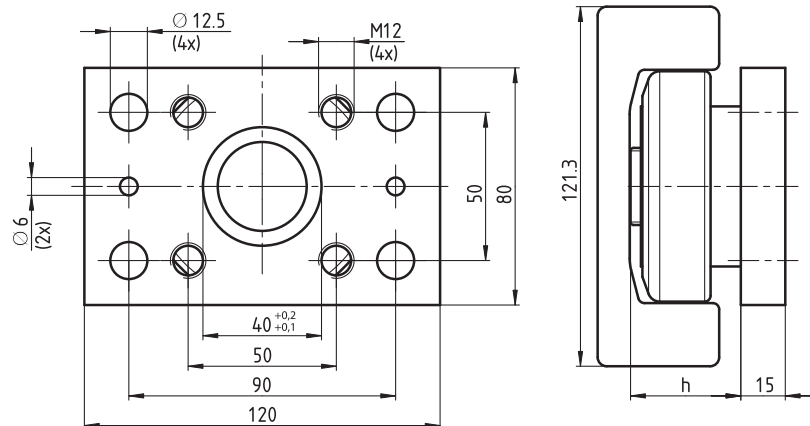
Typ Type	WINKEL-Rolle mit AP WINKEL Bearing with AP	Artikel-Nr. Article no.	Profil Profile	h mm h mm	Gewicht AP Weight AP	Distanzsteckbleche Washers
AP 1	2.055 + AP 1	205.109.000	Standard 1 NbV	34,0	0,90 kg	DS-1-0,5 DS-1-1,0 238.021.000 238.021.001
	4.055 + AP 1	200.052.000	Standard 1 NbV	36,0		
	4.055 HT + AP 1	200.002.021	Standard 1 NbV	36,0		
	4.455 + AP 1	201.032.001	Standard 1 NbV	36,0 - 37,5		
	4.073 + AP 1	200.077.000	Standard 1 NbV	40,0		
	4.073 P + AP 1	200.012.005	Standard 1 NbV	40,0		
	PR 2.055 + AP 1	205.072.001	PR 1 NbV	34,0		
	PR 4.055 + AP 1	200.101.002	PR 1 NbV	36,0		
	PR 4.455 + AP 1	200.115.001	PR 1 NbV	36,0 - 37,5		
	PR 4.073 + AP 1	200.108.001	PR 1 NbV	40,0		
PR 4.073 P + AP 1	200.014.002	PR 1 NbV	40,0			

WINKEL-Rollen | WINKEL Bearings



AP 2

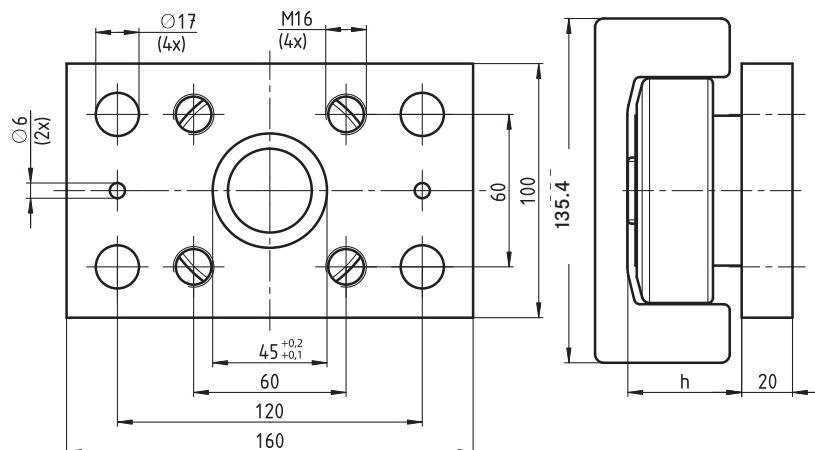
Artikel-Nr. 212.005.000
Article no.



Typ Type	WINKEL-Rolle mit AP WINKEL Bearing with AP	Artikel-Nr. Article no.	Profil Profile	h mm h mm	Gewicht AP Weight AP	Distanzsteckbleche Washers
AP 2	2.056 + AP 2	205.107.000	Standard 2 NbV	34,0	0,85 kg	DS-2-0,5 DS-2-1,0 238.021.000 238.021.001
	4.056 + AP 2	200.053.000	Standard 2 NbV	36,5		
	4.056 HT + AP 2	200.003.021	Standard 2 NbV	36,5		
	4.456 + AP 2	201.033.002	Standard 2 NbV	37,0 - 38,5		
	4.074 + AP 2	200.127.000	Standard 2 NbV	39,5		
	4.074 P + AP 2	200.013.008	Standard 2 NbV	39,5		
	PR 2.056 + AP 2	205.073.002	PR 2 NbV	34,0		
	PR 4.056 + AP 2	200.066.000	PR 2 NbV	36,5		
	PR 4.456 + AP 2	200.116.001	PR 2 NbV	37,0 - 38,5		
	PR 4.074 + AP 2	200.109.002	PR 2 NbV	39,5		
PR 4.074 P + AP 2	200.148.000	PR 2 NbV	39,5			

AP 3.1

Artikel-Nr. 212.006.001
Article no.



Typ Type	WINKEL-Rolle mit AP WINKEL Bearing with AP	Artikel-Nr. Article no.	Profil Profile	h mm h mm	Gewicht AP Weight AP	Distanzsteckbleche Washers
AP 3.1	2.058 + AP 3.1	205.064.004	Standard 3 NbV	41,0	2,35 kg	DS-3.1-0,5 DS-3.1-1,0 238.105.000 238.105.001
	4.058 + AP 3.1	200.054.001	Standard 3 NbV	44,0		
	4.058 HT + AP 3.1	200.005.017	Standard 3 NbV	44,0		
	4.458 + AP 3.1	201.035.002	Standard 3 NbV	44,0 - 45,5		
	4.076 + AP 3.1	201.014.000	Standard 3 NbV	48,0		
	4.076 P + AP 3.1	200.015.009	Standard 3 NbV	48,0		
	PR 2.058 + AP 3.1	205.075.001	PR 3 NbV	41,0		
	PR 4.058 + AP 3.1	200.140.001	PR 3 NbV	44,0		
	PR 4.458 + AP 3.1	200.117.002	PR 3 NbV	44,0 - 45,5		
	PR 4.076 + AP 3.1	200.110.001	PR 3 NbV	48,0		
PR 4.076 P + AP 3.1	200.015.012	PR 3 NbV	48,0			

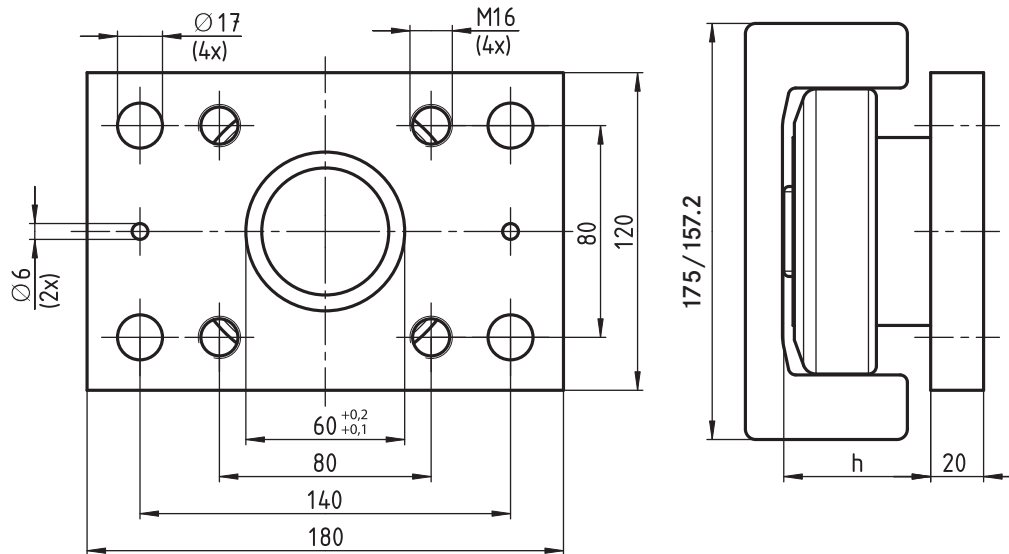
WINKEL-Rollen | WINKEL Bearings



AP 4

Artikel-Nr. 212.007.001

Article no.

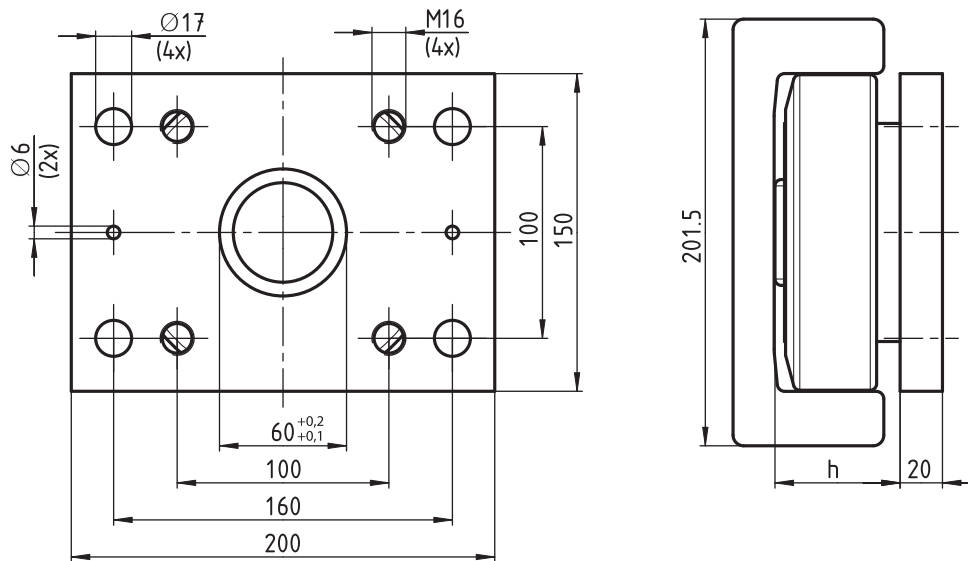


Typ Type	WINKEL-Rolle mit AP WINKEL Bearing with AP	Artikel-Nr. Article no.	Profil Profile	h mm h mm	Gewicht AP Weight AP	Distanzsteckbleche Washers
AP 4	2.061 + AP 4	205.108.000	Standard 4 NbV	51,5	2,65 kg	DS-4-0,5 DS-4-1,0 238.023.000 238.023.001
	4.061 + AP 4	200.055.000	Standard 4 NbV	55,0		
	4.061 HT + AP 4	200.008.009	Standard 4 NbV	55,0		
	4.461 + AP 4	201.038.001	Standard 4 NbV	55,0 - 57,0		
	4.0784 + AP 4	200.016.001	Standard 4 NbV	55,0		
	4.0784 P + AP 4	200.016.004	Standard 4 NbV	55,0		
	PR 2.061 + AP 4	205.075.003	PR 4 NbV	51,5		
	PR 4.061 + AP 4	200.104.001	PR 4 NbV	55,0		
	PR 4.461 + AP 4	200.118.001	PR 4 NbV	55,0 - 57,0		
	PR 4.0784 + AP 4	200.111.001	PR 4 NbV	55,0		
	PR 4.0784 P + AP 4	200.067.003	PR 4 NbV	55,0		
	2.062 + AP 4	205.066.004	Standard 5 NbV	51,5		
	4.062 + AP 4	200.076.000	Standard 5 NbV	56,0		
	4.062 HT + AP 4	200.009.024	Standard 5 NbV	56,0		
	4.462 + AP 4	201.039.001	Standard 5 NbV	56,0 - 60,0		
	4.079 + AP 4	201.015.000	Standard 5 NbV	59,5		
	4.079 P + AP 4	200.018.004	Standard 5 NbV	59,5		
	PR 2.062 + AP 4	205.076.001	PR 5 NbV	51,5		
	PR 4.062 + AP 4	200.105.001	PR 5 NbV	56,0		
	PR 4.462 + AP 4	200.119.001	PR 5 NbV	56,0 - 60,0		
PR 4.079 + AP 4	200.112.001	PR 5 NbV	59,5			
PR 4.079 P + AP 4	200.154.003	PR 5 NbV	59,5			

WINKEL-Rollen | WINKEL Bearings



AP 6

 Artikel-Nr. 212.008.000
 Article no.


Typ Type	WINKEL-Rolle mit AP WINKEL Bearing with AP	Artikel-Nr. Article no.	Profil Profile	h mm h mm	Gewicht AP Weight AP	Distanzsteckbleche Washers
AP 6	2.063 + AP 6	205.067.002	Standard 6 NbV	54,0	4,0 kg	DS-6-0,5 DS-6-1,0 238.024.000 238.024.001
	4.063 + AP 6	200.056.000	Standard 6 NbV	58,5		
	4.063 HT + AP 6	200.010.036	Standard 6 NbV	58,5		
	4.463 + AP 6	201.040.001	Standard 6 NbV	58,5 - 62,5		
	4.080 + AP 6	200.019.003	Standard 6 NbV	69,0		
	4.080 P + AP 6	201.016.000	Standard 6 NbV	62,0		
	PR 2.063 + AP 6	205.077.001	PR 6 NbV	54,0		
	PR 4.063 + AP 6	200.106.002	PR 6 NbV	58,5		
	PR 4.463 + AP 6	200.120.001	PR 6 NbV	58,5 - 62,5		
	PR 4.080 + AP 6	200.113.001	PR 6 NbV	69,0		
PR 4.080 P + AP 6	200.155.001	PR 6 NbV	62,0			

WINKEL-Rollen | WINKEL Bearings

**NEU**

Anschraubplatten rechteckig mit stirnseitiger Nachschmierung für WINKEL-Rollen und Radiallager

WINKEL-Rollen mit Anschraubplatten sind fertige Systemelemente für schraubbare Verbindungen zwischen Konstruktion und Führungsprofil.

- alle Anschraubplatten mit eingeschweißter WINKEL-Rolle
- axiale Justierung mit Distanzblech Typ DS-LUB
- alle Anschraubplatten in brüniertes Ausführung
- Material: S235 JR
- Lieferung inkl. 1 Schmiernippel M6 x 1, O-Ring sowie 2 Distanzbleche 0,5 mm

Sonderausführungen auf Anfrage.

CAD Download in 2D/3D unter www.winkel.de

NEW

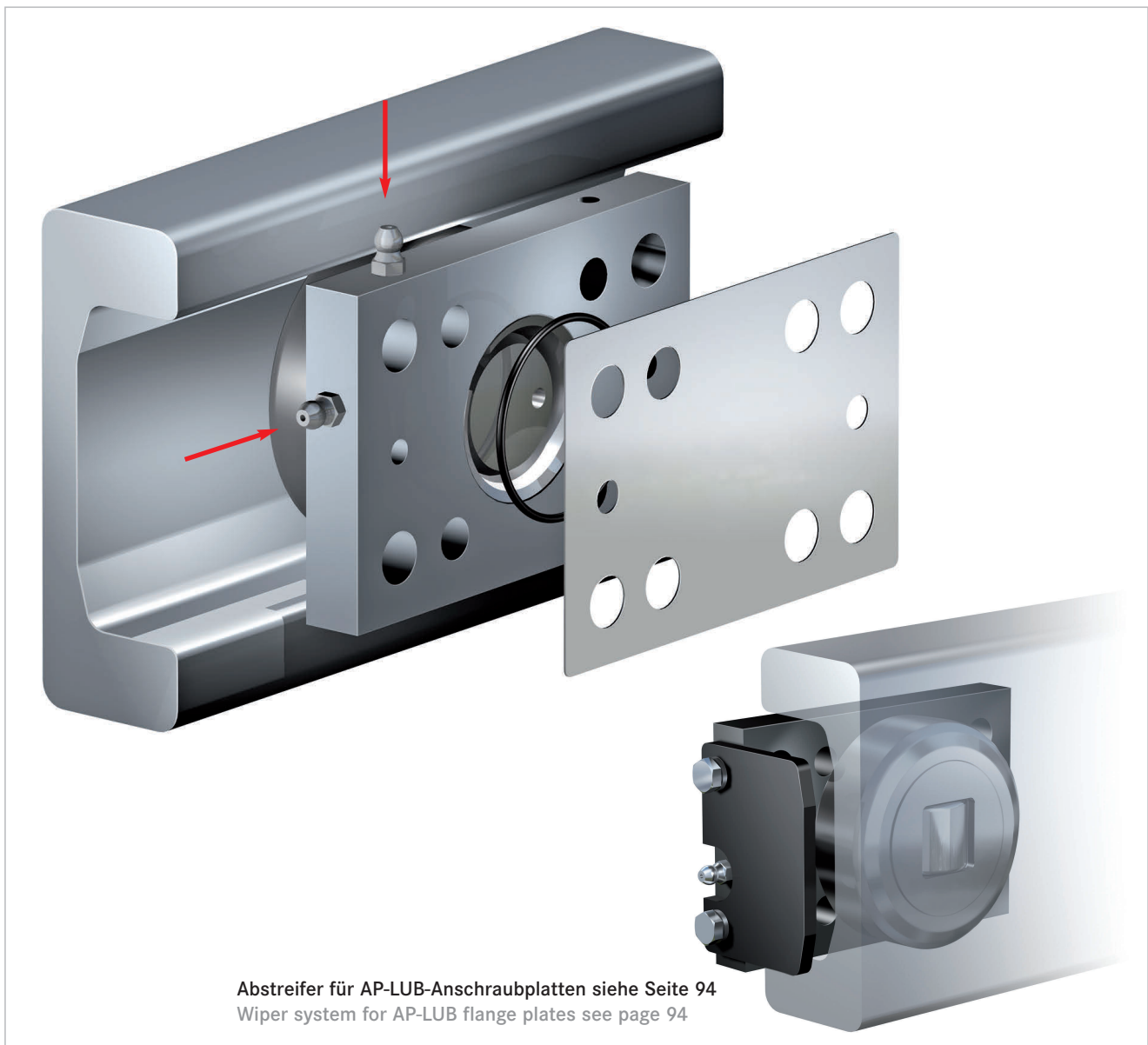
Flange plates rectangular with lubrication access from face side for WINKEL Bearings and Radial Bearings

WINKEL flange plates in combination with WINKEL Bearings are suitable for screw joints between construction and guide profile.

- all flange plates are welded with WINKEL Bearings
- axial adjusting with washer type DS-LUB
- all flange plates in corrosion protected version
- material: S235 JR
- will be delivered 1 pc. grease nipple M6 x 1, O-ring and 2 pcs. washers 0,5 mm

Special designs on request.

CAD download in 2D/3D at www.winkel.de

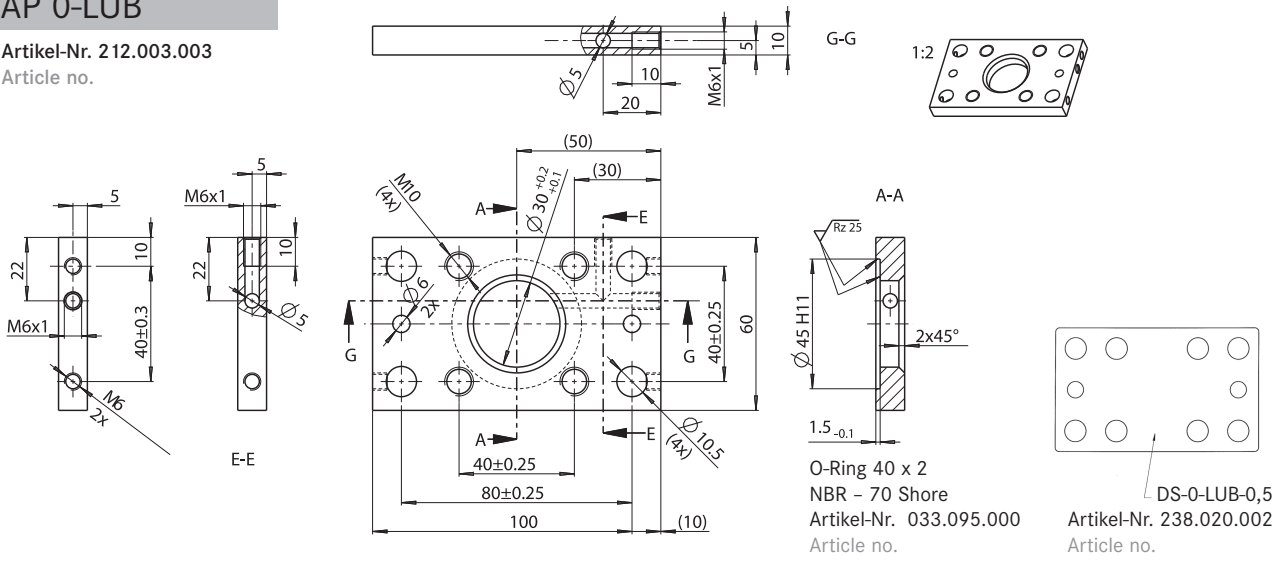


WINKEL-Rollen | WINKEL Bearings



AP 0-LUB

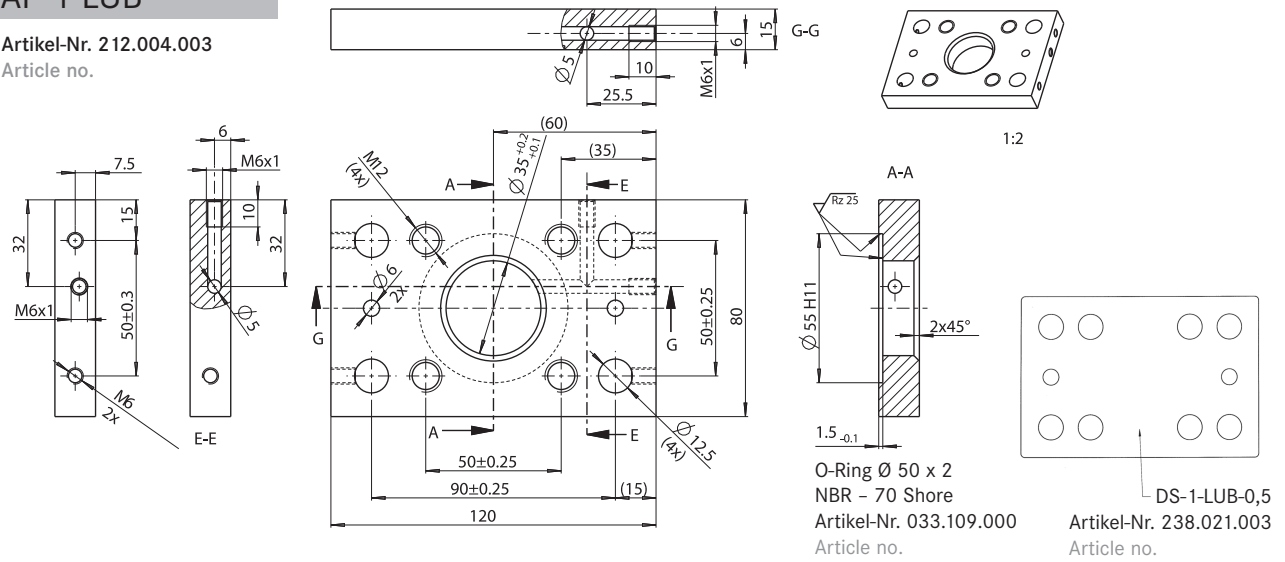
Artikel-Nr. 212.003.003
Article no.



Typ Type	WINKEL-Rolle mit AP WINKEL Bearing with AP	Artikel-Nr. Article no.	Profil Profile	h mm h mm	Gewicht AP Weight AP	Distanzbleche Washers
AP 0-LUB	2.054 + AP 0-LUB	205.061.015	Standard 0 NbV	26,5	0,35 kg	DS-0-LUB-0,5 238.020.002
	4.054 + AP 0-LUB	200.001.033	Standard 0 NbV	30,5		
	PR 2.054 + AP 0-LUB	205.071.006	PR 0 NbV	26,5		
	PR 4.054 + AP 0-LUB	200.100.013	PR 0 NbV	30,5		

AP 1-LUB

Artikel-Nr. 212.004.003
Article no.



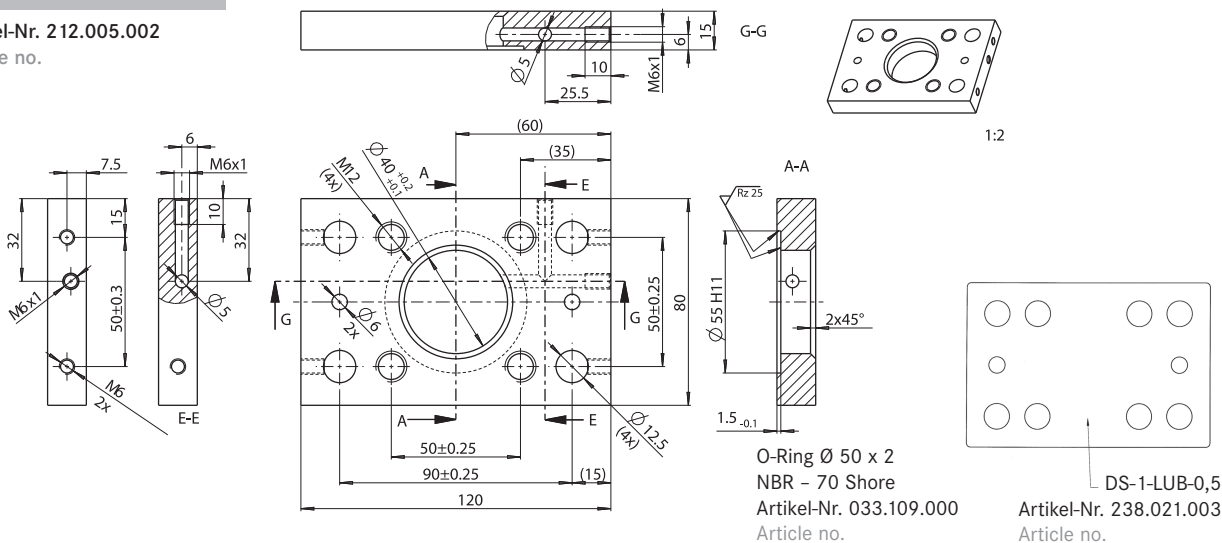
Typ Type	WINKEL-Rolle mit AP WINKEL Bearing with AP	Artikel-Nr. Article no.	Profil Profile	h mm h mm	Gewicht AP Weight AP	Distanzbleche Washers
AP 1-LUB	2.055 + AP 1-LUB	205.062.015	Standard 1 NbV	34,0	0,90 kg	DS-1-LUB-0,5 238.021.003
	4.055 + AP 1-LUB	200.002.040	Standard 1 NbV	36,0		
	PR 2.055 + AP 1-LUB	205.072.004	PR 1 NbV	34,0		
	PR 4.055 + AP 1-LUB	200.101.006	PR 1 NbV	36,0		

WINKEL-Rollen | WINKEL Bearings



AP 2-LUB

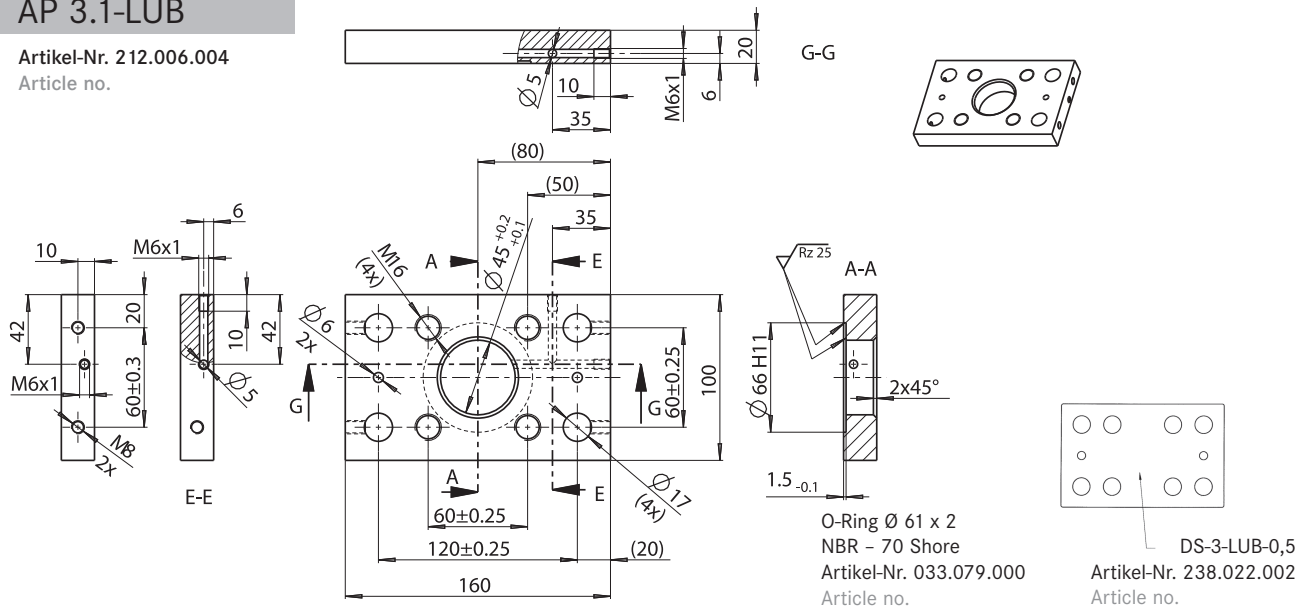
Artikel-Nr. 212.005.002
Article no.



Typ Type	WINKEL-Rolle mit AP WINKEL Bearing with AP	Artikel-Nr. Article no.	Profil Profile	h mm h mm	Gewicht AP Weight AP	Distanzbleche Washers
AP 2-LUB	2.056 + AP 2-LUB	205.063.007	Standard 2 NbV	34,0	0,85 kg	DS-1-LUB-0,5 238.021.003
	4.056 + AP 2-LUB	200.003.027	Standard 2 NbV	36,5		
	PR 2.056 + AP 2-LUB	205.073.005	PR 2 NbV	34,0		
	PR 4.056 + AP 2-LUB	200.102.001	PR 2 NbV	36,5		

AP 3.1-LUB

Artikel-Nr. 212.006.004
Article no.

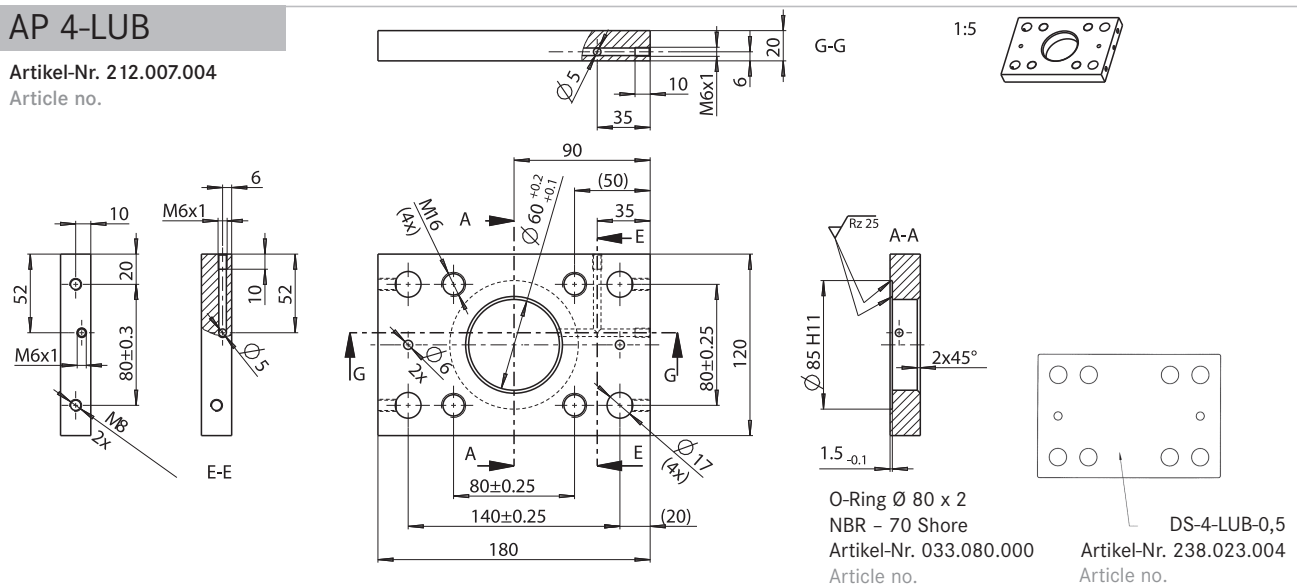


Typ Type	WINKEL-Rolle mit AP WINKEL Bearing with AP	Artikel-Nr. Article no.	Profil Profile	h mm h mm	Gewicht AP Weight AP	Distanzbleche Washers
AP 3.1-LUB	2.058 + AP 3.1-LUB	205.064.010	Standard 3 NbV	41,0	2,35 kg	DS-3-LUB-0,5 238.022.002
	4.058 + AP 3.1-LUB	200.005.025	Standard 3 NbV	44,0		
	PR 2.058 + AP 3.1-LUB	205.074.005	PR 3 NbV	41,0		
	PR 4.058 + AP 3.1-LUB	200.103.002	PR 3 NbV	44,0		

WINKEL-Rollen | WINKEL Bearings

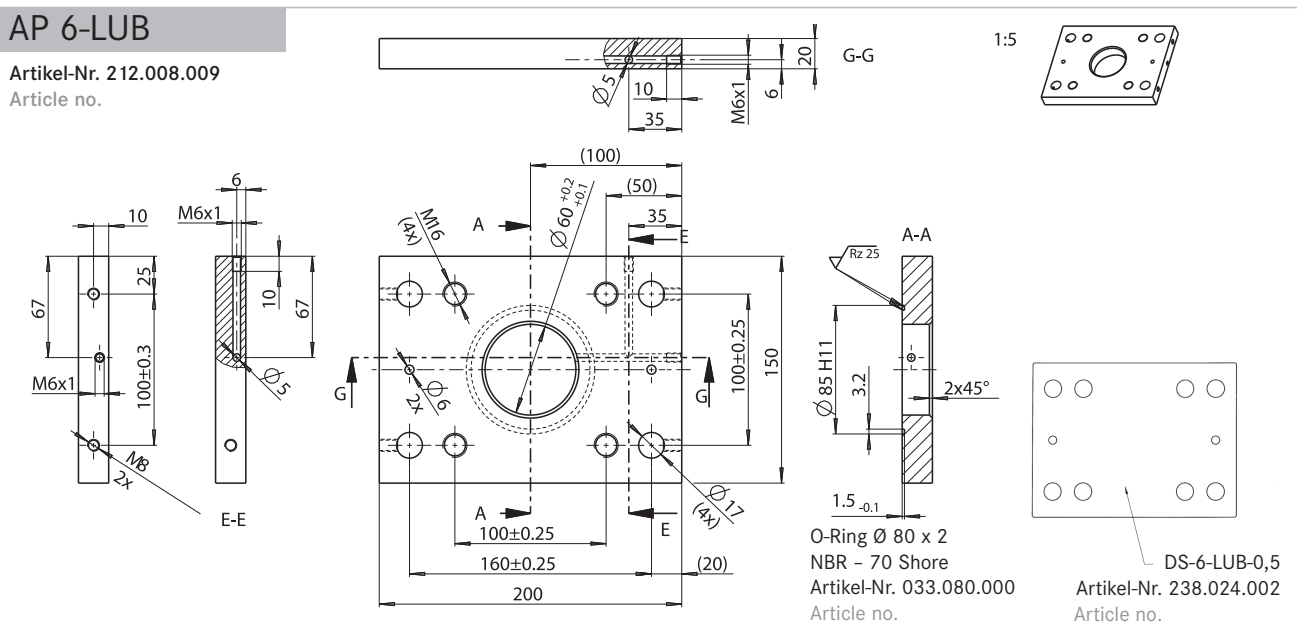


AP 4-LUB

 Artikel-Nr. 212.007.004
 Article no.


Typ Type	WINKEL-Rolle mit AP WINKEL Bearing with AP	Artikel-Nr. Article no.	Profil Profile	h mm h mm	Gewicht AP Weight AP	Distanzbleche Washers
AP 4-LUB	2.061 + AP 4-LUB	205.065.007	Standard 4 NbV	51,5	2,65 kg	DS-4-LUB-0,5 238.023.004
	4.061 + AP 4-LUB	200.008.017	Standard 4 NbV	55,0		
	PR 2.061 + AP 4-LUB	205.075.005	PR 4 NbV	51,5		
	PR 4.061 + AP 4-LUB	200.104.006	PR 4 NbV	55,0		
	2.062 + AP 4-LUB	205.066.010	Standard 5 NbV	51,5		
	4.062 + AP 4-LUB	200.009.032	Standard 5 NbV	56,0		
	PR 2.062 + AP 4-LUB	205.076.005	PR 5 NbV	51,5		
	PR 4.062 + AP 4-LUB	200.105.007	PR 5 NbV	56,0		

AP 6-LUB

 Artikel-Nr. 212.008.009
 Article no.


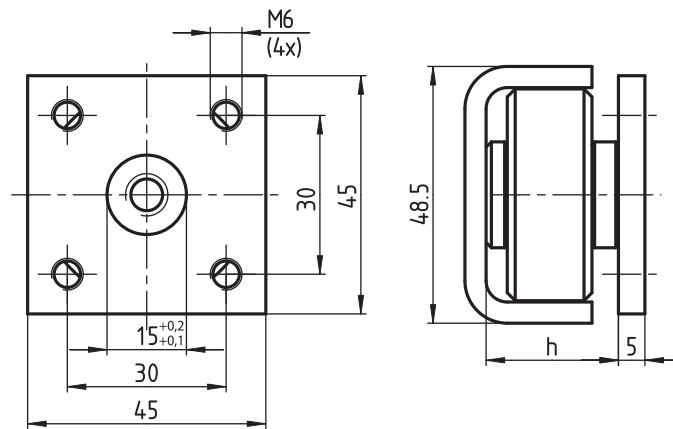
Typ Type	WINKEL-Rolle mit AP WINKEL Bearing with AP	Artikel-Nr. Article no.	Profil Profile	h mm h mm	Gewicht AP Weight AP	Distanzbleche Washers
AP 6-LUB	2.063 + AP 6-LUB	205.067.010	Standard 6 NbV	54,0	4,0 kg	DS-6-LUB-0,5 238.024.002
	4.063 + AP 6-LUB	200.010.048	Standard 6 NbV	58,5		
	PR 2.063 + AP 6-LUB	205.077.004	PR 6 NbV	54,0		
	PR 4.063 + AP 6-LUB	200.106.007	PR 6 NbV	58,5		

WINKEL-Rollen | WINKEL Bearings



AP A-Q

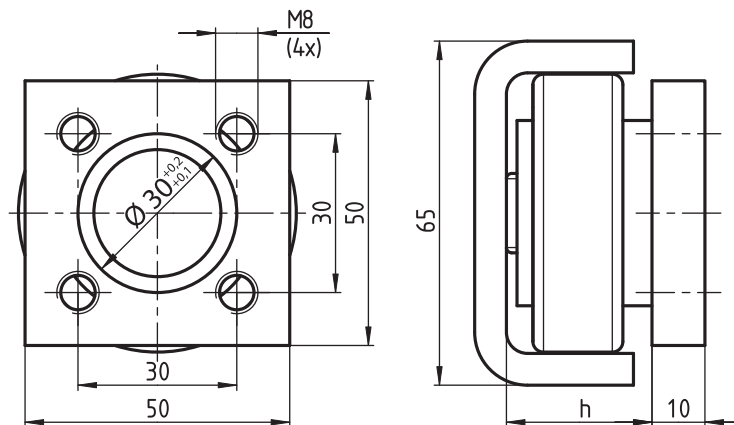
Artikel-Nr. 212.200.101
Article no.



Typ Type	WINKEL-Rolle mit AP WINKEL Bearing with AP	Artikel-Nr. Article no.	Profil Profile	h mm h mm	Gewicht AP Weight AP	Distanzsteckbleche Washers	
AP A-Q	4.052 P + AP A-Q	201.032.003	Standard A	25,0	0,10 kg	DS-A-0,5 238.026.000	DS-A-1,0 238.026.001

AP S-Q

Artikel-Nr. 212.200.102
Article no.



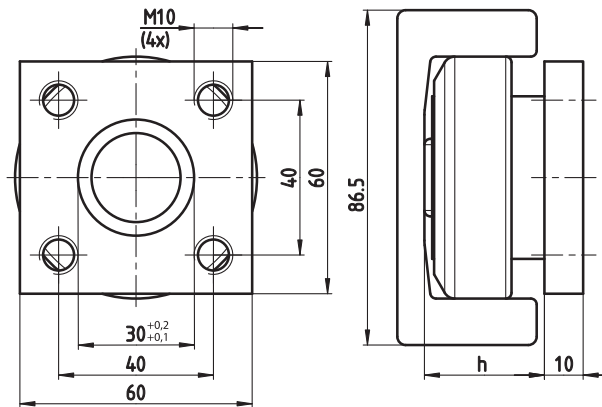
Typ Type	WINKEL-Rolle mit AP WINKEL Bearing with AP	Artikel-Nr. Article no.	Profil Profile	h mm h mm	Gewicht AP Weight AP	Distanzsteckbleche Washers	
AP S-Q	4.053 + AP S-Q	200.071.001	Standard S	27,0	0,20 kg	DS-S-0,5 238.025.000	DS-S-1,0 238.025.001
	4.053 HT + AP S-Q	200.024.019	Standard S	27,0			

WINKEL-Rollen | WINKEL Bearings



AP 0-Q

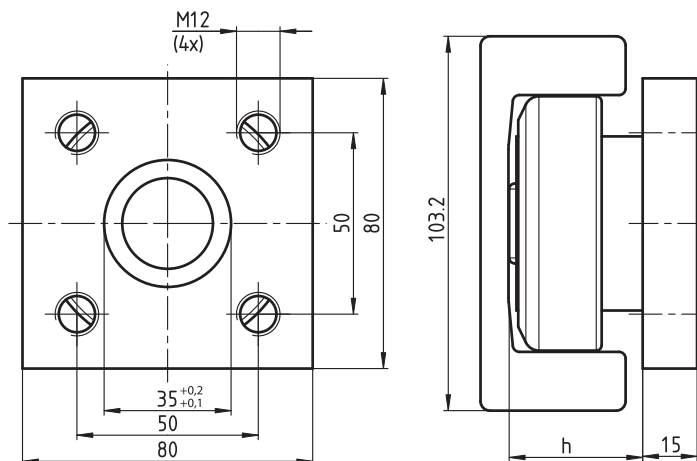
Artikel-Nr. 212.200.010
Article no.



Typ Type	WINKEL-Rolle mit AP WINKEL Bearing with AP	Artikel-Nr. Article no.	Profil Profile	h mm h mm	Gewicht AP Weight AP	Distanzsteckbleche Washers
AP 0-Q	2.054 + AP 0-Q	205.061.004	Standard 0 NbV	26,5	0,28 kg	DS-0-0,5 DS-0-1,0 238.020.000 238.020.001
	4.054 + AP 0-Q	200.051.003	Standard 0 NbV	30,5		
	4.054 HT + AP 0-Q	200.001.022	Standard 0 NbV	30,5		
	4.454 + AP 0-Q	201.031.002	Standard 0 NbV	30,5 - 32,0		
	4.072 + AP 0-Q	201.011.002	Standard 0 NbV	33,0		
	4.072 P + AP 0-Q	200.149.001	Standard 0 NbV	33,0		
	PR 2.054 + AP 0-Q	205.071.003	PR 0 NbV	26,5		
	PR 4.054 + AP 0-Q	200.100.003	PR 0 NbV	30,5		
	PR 4.454 + AP 0-Q	200.114.002	PR 0 NbV	30,5 - 32,0		
	PR 4.072 + AP 0-Q	200.107.001	PR 0 NbV	33,0		
PR 4.072 P + AP 0-Q	200.011.007	PR 0 NbV	33,0			

AP 1-Q

Artikel-Nr. 212.200.011
Article no.



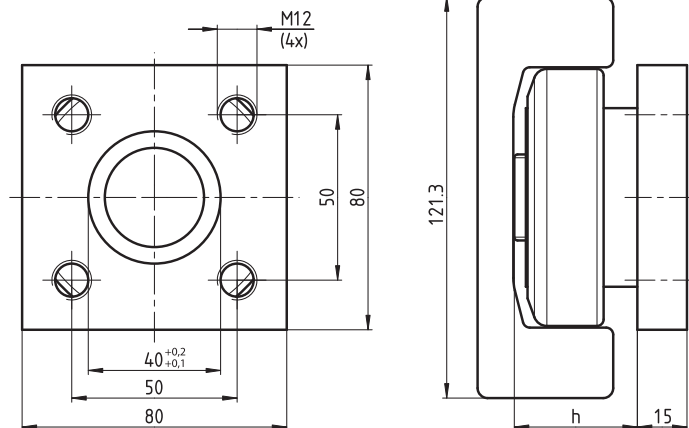
Typ Type	WINKEL-Rolle mit AP WINKEL Bearing with AP	Artikel-Nr. Article no.	Profil Profile	h mm h mm	Gewicht AP Weight AP	Distanzsteckbleche Washers
AP 1-Q	2.055 + AP 1-Q	205.062.004	Standard 1 NbV	34,0	0,75 kg	DS-1-0,5 DS-1-1,0 238.021.000 238.021.001
	4.055 + AP 1-Q	200.052.001	Standard 1 NbV	36,0		
	4.055 HT + AP 1-Q	200.002.007	Standard 1 NbV	36,0		
	4.455 + AP 1-Q	201.032.002	Standard 1 NbV	36,0 - 37,5		
	4.073 + AP 1-Q	201.012.000	Standard 1 NbV	40,0		
	4.073 P + AP 1-Q	200.012.006	Standard 1 NbV	40,0		
	PR 2.055 + AP 1-Q	205.072.002	PR 1 NbV	34,0		
	PR 4.055 + AP 1-Q	200.101.003	PR 1 NbV	36,0		
	PR 4.455 + AP 1-Q	200.115.002	PR 1 NbV	36,0 - 37,5		
	PR 4.073 + AP 1-Q	200.108.002	PR 1 NbV	40,0		
PR 4.073 P + AP 1-Q	200.014.003	PR 1 NbV	40,0			

WINKEL-Rollen | WINKEL Bearings



AP 2-Q

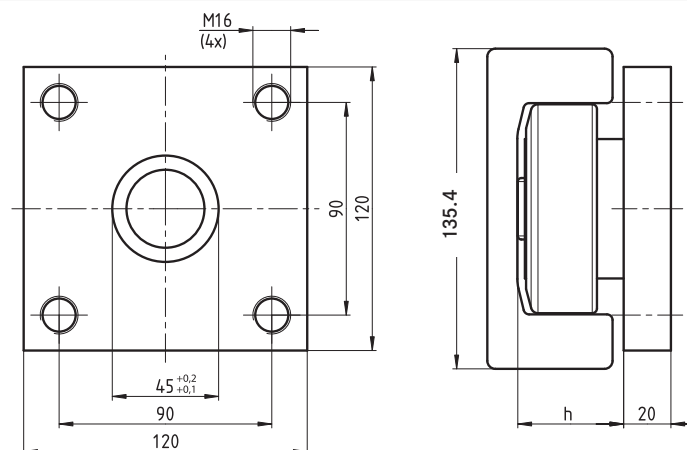
Artikel-Nr. 212.200.012
Article no.



Typ Type	WINKEL-Rolle mit AP WINKEL Bearing with AP	Artikel-Nr. Article no.	Profil Profile	h mm h mm	Gewicht AP Weight AP	Distanzsteckbleche Washers
AP 2-Q	2.056 + AP 2-Q	205 .107 .001	Standard 2 NbV	34,0	0,75 kg	DS-2-0,5 DS-2-1,0 238.021.000 238.021.001
	4.056 + AP 2-Q	200 .053.001	Standard 2 NbV	36,5		
	4.056 HT + AP 2-Q	200 .003.022	Standard 2 NbV	36,5		
	4.456 + AP 2-Q	201 .033.003	Standard 2 NbV	37,0 - 38,5		
	4.074 + AP 2-Q	201 .013 .000	Standard 2 NbV	39,5		
	4.074 P + AP 2-Q	200 .013 .009	Standard 2 NbV	39,5		
	PR 2.056 + AP 2-Q	205 .073.003	PR 2 NbV	34,0		
	PR 4.056 + AP 2-Q	200 .066.001	PR 2 NbV	36,5		
	PR 4.456 + AP 2-Q	200 .116 .002	PR 2 NbV	37,0 - 38,5		
	PR 4.074 + AP 2-Q	200 .109 .003	PR 2 NbV	39,5		
PR 4.074 P + AP 2-Q	200 .013 .035	PR 2 NbV	39,5			

AP 3-Q

Artikel-Nr. 212.006.000
Article no.

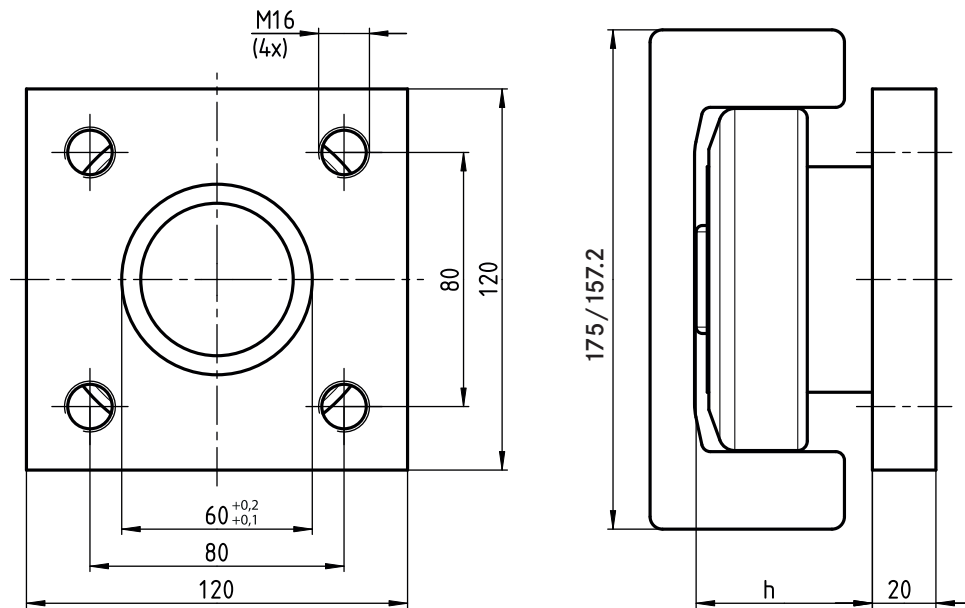


Typ Type	WINKEL-Rolle mit AP WINKEL Bearing with AP	Artikel-Nr. Article no.	Profil Profile	h mm h mm	Gewicht AP Weight AP	Distanzsteckbleche Washers
AP 3-Q	2.058 + AP 3-Q	205 .064.003	Standard 3 NbV	41,0	1,85 kg	DS-3-0,5 DS-3-1,0 238.022.000 238.022.001
	4.058 + AP 3-Q	200 .054.000	Standard 3 NbV	44,0		
	4.058 HT + AP 3-Q	200 .005.018	Standard 3 NbV	44,0		
	4.458 + AP 3-Q	201 .035.003	Standard 3 NbV	44,0 - 45,5		
	4.076 + AP 3-Q	201 .017 .000	Standard 3 NbV	48,0		
	4.076 P + AP 3-Q	200 .015 .010	Standard 3 NbV	48,0		
	PR 2.058 + AP 3-Q	205 .074 .001	PR 3 NbV	41,0		
	PR 4.058 + AP 3-Q	200 .140 .000	PR 3 NbV	44,0		
	PR 4.458 + AP 3-Q	200 .117 .003	PR 3 NbV	44,0 - 45,5		
	PR 4.076 + AP 3-Q	200 .110 .002	PR 3 NbV	48,0		
PR 4.076 P + AP 3-Q	200 .015 .011	PR 3 NbV	48,0			

WINKEL-Rollen | WINKEL Bearings



AP 4-Q

 Artikel-Nr. 212.200.014
 Article no.


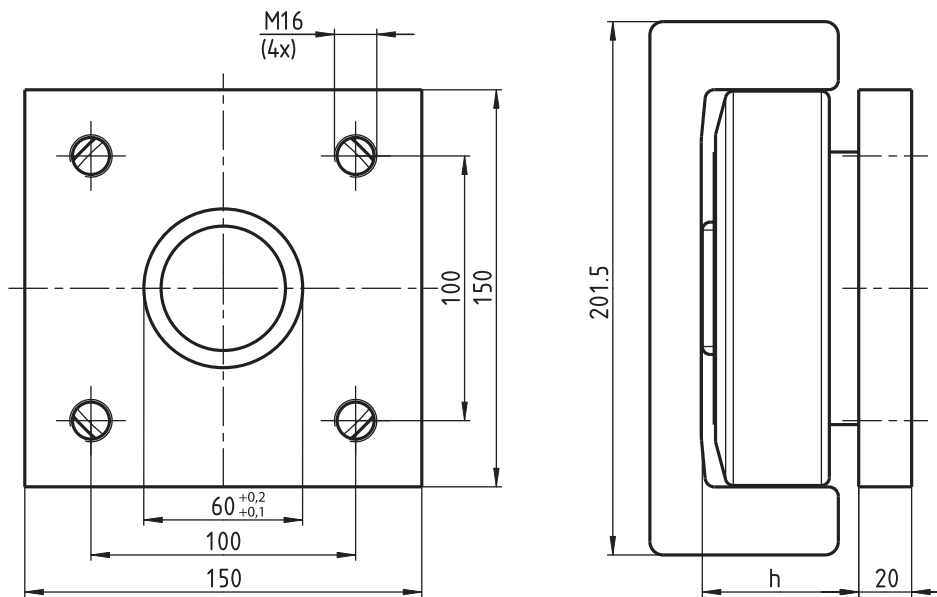
Typ Type	WINKEL-Rolle mit AP WINKEL Bearing with AP	Artikel-Nr. Article no.	Profil Profile	h mm h mm	Gewicht AP Weight AP	Distanzsteckbleche Washers
AP 4-Q	2.061 + AP 4-Q	205.108.001	Standard 4 NbV	51,5	2,2 kg	DS-4-0,5 DS-4-1,0 238.023.000 238.023.001
	4.061 + AP 4-Q	200.055.001	Standard 4 NbV	55,0		
	4.061 HT + AP 4-Q	200.008.010	Standard 4 NbV	55,0		
	4.461 + AP 4-Q	201.038.002	Standard 4 NbV	55,0 - 57,0		
	4.0784 + AP 4-Q	200.016.003	Standard 4 NbV	55,0		
	4.0784 P + AP 4-Q	200.016.011	Standard 4 NbV	55,0		
	PR 2.061 + AP 4-Q	205.075.002	PR 4 NbV	51,5		
	PR 4.061 + AP 4-Q	200.104.002	PR 4 NbV	55,0		
	PR 4.461 + AP 4-Q	200.118.002	PR 4 NbV	55,0 - 57,0		
	PR 4.0784 + AP 4-Q	200.111.002	PR 4 NbV	55,0		
	PR 4.0784 P + AP 4-Q	200.067.002	PR 4 NbV	55,0		
	2.062 + AP 4-Q	205.066.002	Standard 5 NbV	51,5		
	4.062 + AP 4-Q	200.076.001	Standard 5 NbV	56,0		
	4.062 HT + AP 4-Q	200.009.025	Standard 5 NbV	56,0		
	4.462 + AP 4-Q	201.039.002	Standard 5 NbV	56,0 - 60,0		
	4.079 + AP 4-Q	201.015.001	Standard 5 NbV	59,5		
	4.079 P + AP 4-Q	200.018.005	Standard 5 NbV	59,5		
	PR 2.062 + AP 4-Q	205.076.002	PR 5 NbV	51,5		
	PR 4.062 + AP 4-Q	200.105.002	PR 5 NbV	56,0		
	PR 4.462 + AP 4-Q	200.119.002	PR 5 NbV	56,0 - 60,0		
PR 4.079 + AP 4-Q	200.112.002	PR 5 NbV	59,5			
PR 4.079 P + AP 4-Q	200.154.002	PR 5 NbV	59,5			

WINKEL-Rollen | WINKEL Bearings



AP 6-Q

Artikel-Nr. 212.200.016
Article no.



Typ Type	WINKEL-Rolle mit AP WINKEL Bearing with AP	Artikel-Nr. Article no.	Profil Profile	h mm h mm	Gewicht AP Weight AP	Distanzsteckbleche Washers
AP 6-Q	2.063 + AP 6-Q	205.067.003	Standard 6 NbV	54,0	3,4 kg	DS-6-0,5 DS-6-1,0 238.024.000 238.024.001
	4.063 + AP 6-Q	200.056.001	Standard 6 NbV	58,5		
	4.063 HT + AP 6-Q	200.010.037	Standard 6 NbV	58,5		
	4.463 + AP 6-Q	201.040.002	Standard 6 NbV	58,5 - 62,5		
	4.080 + AP 6-Q	200.019.004	Standard 6 NbV	69,0		
	4.080 P + AP 6-Q	201.016.001	Standard 6 NbV	62,0		
	PR 2.063 + AP 6-Q	205.077.002	PR 6 NbV	54,0		
	PR 4.063 + AP 6-Q	200.106.003	PR 6 NbV	58,5		
	PR 4.463 + AP 6-Q	200.120.002	PR 6 NbV	58,5 - 62,5		
	PR 4.080 + AP 6-Q	200.113.002	PR 6 NbV	69,0		
PR 4.080 P + AP 6-Q	200.155.002	PR 6 NbV	62,0			