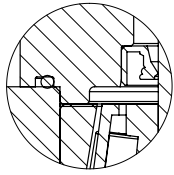
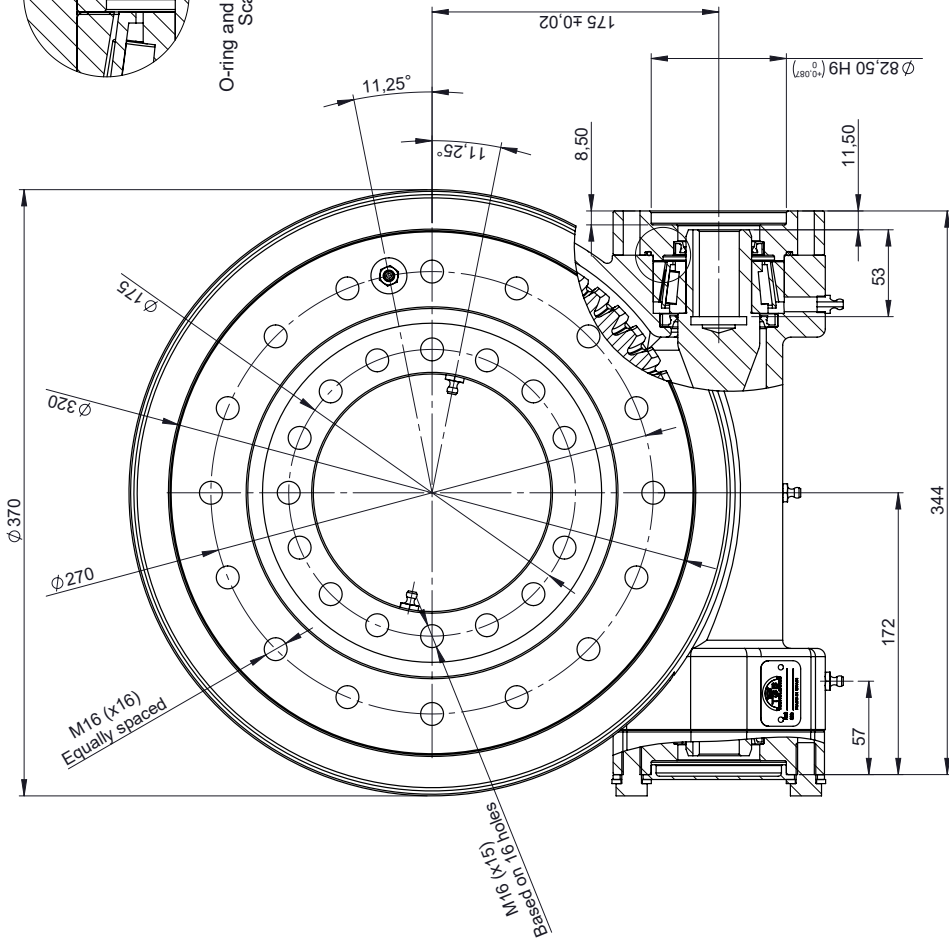
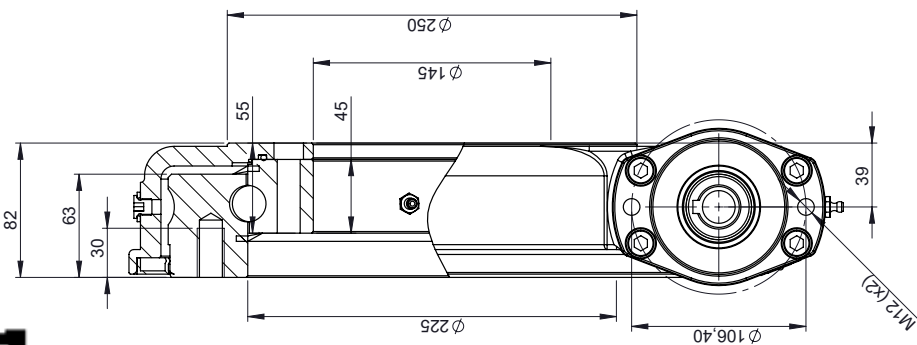
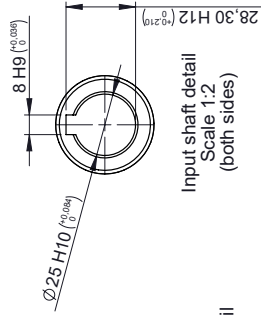


BE SERIES

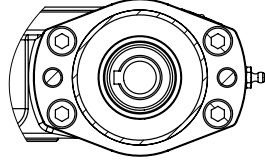
METRIC



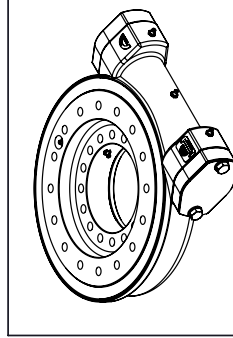
O-ring and Lip seal detail
Scale 1:1



Input shaft detail
Scale 1:2
(both sides)



Output shaft detail
Scale 1:3
(Same configuration as Input shaft)

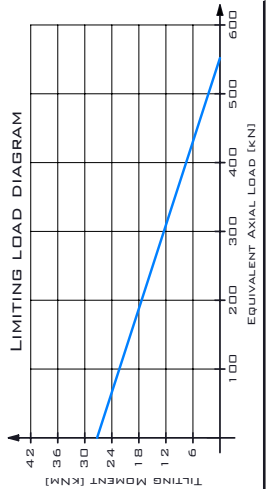


MINIMUM INPUT TORQUE: 25NM

MAIN PERFORMANCE PARAMETERS

GEAR RATIO	6.1:1	HOLDING TORQUE	34KNM
EFFICIENCY	40%	TILTING MOMENT	27,5KNM
SELF-LOCKING GEAR	YES	RADIAL STATIC LOAD	204KN
BACKLASH CLEARANCE	<0.1 D _o	AXIAL STATIC LOAD	547KN
MAXIMUM TORQUE	9.100NM	RADIAL DYNAMIC LOAD	132KN
NOMINAL TORQUE	4.480NM	AXIAL DYNAMIC LOAD	154KN

NOTES: ALL BLOW DRIVE ARE PRE-LUBRICATED. MAXIMUM OUTPUT SPEEDS 1 RPM.
STANDARD PAINT: FOR CORROSION CATEGORY C3-M, COLOR RAL 9005



SHAFT: Ø 25MM KEYS SHAFT
FLANGE: SAE - 2BOLT FLANGE

The information contained in this document is property of TCB Group. It is for informational purposes only and is not intended to be used for any other purpose without the prior written consent of TCB Group. TCB Group reserves the right to change the information without previous notice and without liability.

>1200	±1.2
>400.0 - 1200	±0.8
>120.0 - 400.0	±0.5
>30.0 - 120.0	±0.3
>6.0 - 30.0	±0.2
>3.0 - 6.0	±0.1
>0.3 - 3.0	±0.1

Range of sizes
Unstated
tolerance



Reference	BE314-Z1	Rev	C
Denomination	Sales drawing	NUM. PIECES:	1
MATERIAL:	-	WEIGHT (kg):	45.68
SCALE:	1:3	SIZE:	A3
		SHEET:	1 of 1