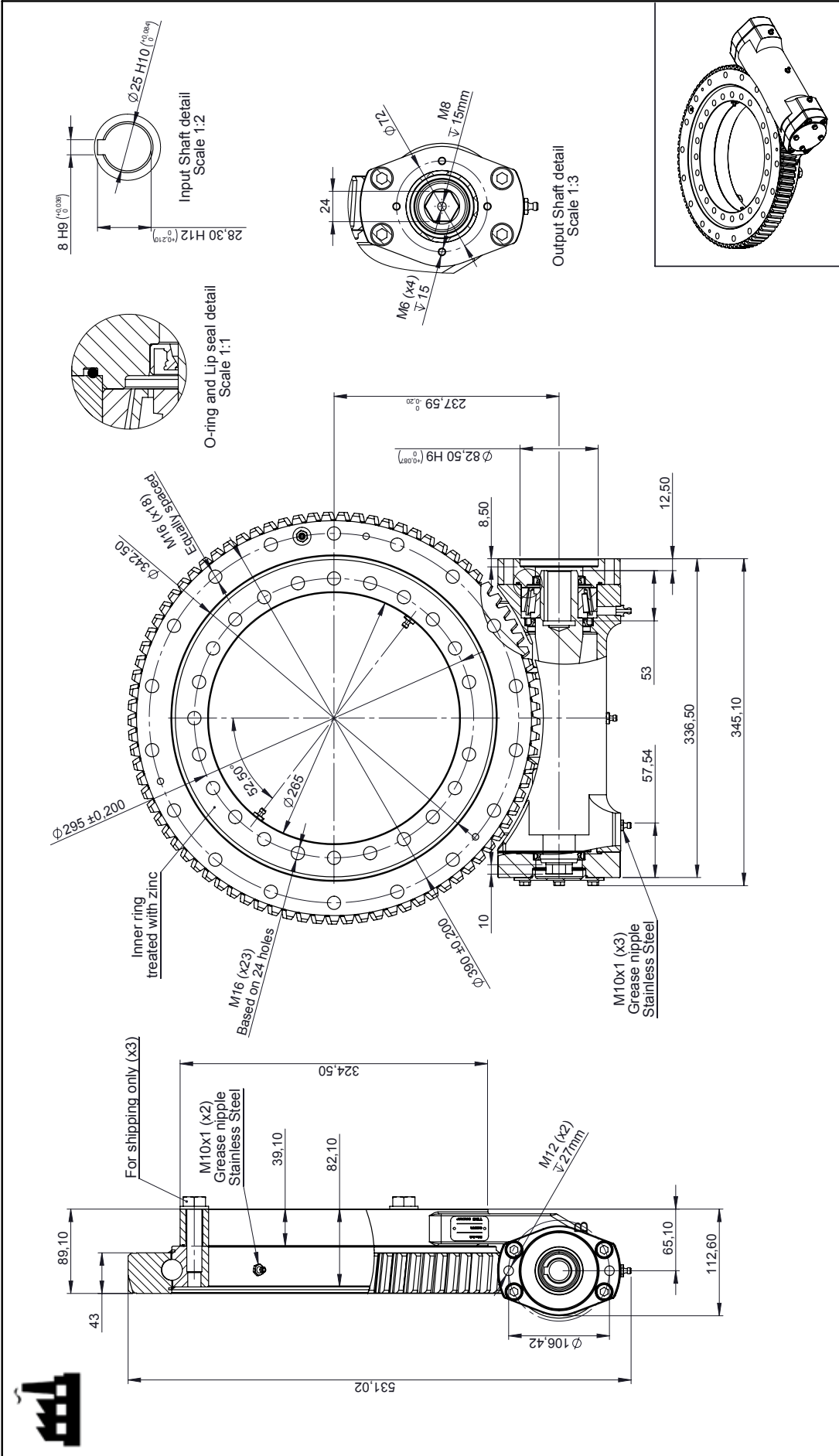


# TGO SERIES

## METRIC



TGB GROUP  
info@tgbgroup.es  
www.tgbgroup.es

Rev: A

Reference: TGO435-Z0-RM

Denomination: Sales Drawing

MATERIAL: -

SCALE: -

WEIGHT [kg]: 49.17

NUM. PIECES: 1

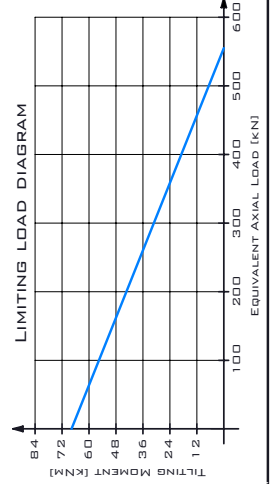
SIZE: -

SHEET: 1 of 1

Units: mm

Shaft: ∅25mm KEYS SHAFT  
Flange: SAE - 2BOLT FLANGE

This information is for reference only. It is not intended for reproduction or modification without the prior written consent of TGB Group. It is not allowed to copy or reproduce this document without the prior written consent of TGB Group. All dimensions are in millimeters unless otherwise specified.



MAIN PERFORMANCE PARAMETERS	
GEAR RATIO	85:1
HOLDING TORQUE	43.2kNm
EFFICIENCY	40%
TILTING MOMENT	67.6kNm
SELF-LOCKING GEAR	YES
RADIAL STATIC LOAD	222kN
BACKLASH CLEARANCE	< 0.17°
AXIAL STATIC LOAD	55.5kN
MAXIMUM TORQUE	12.306Nm
RADIAL DYNAMIC LOAD	117kN
NOMINAL TORQUE	10.200Nm
AXIAL DYNAMIC LOAD	133kN

NOTES: ALL BEV DRIVE ARE PRE-LUBRICATED. MAXIMUM OUTPUT SPEED: 1100 RPM.