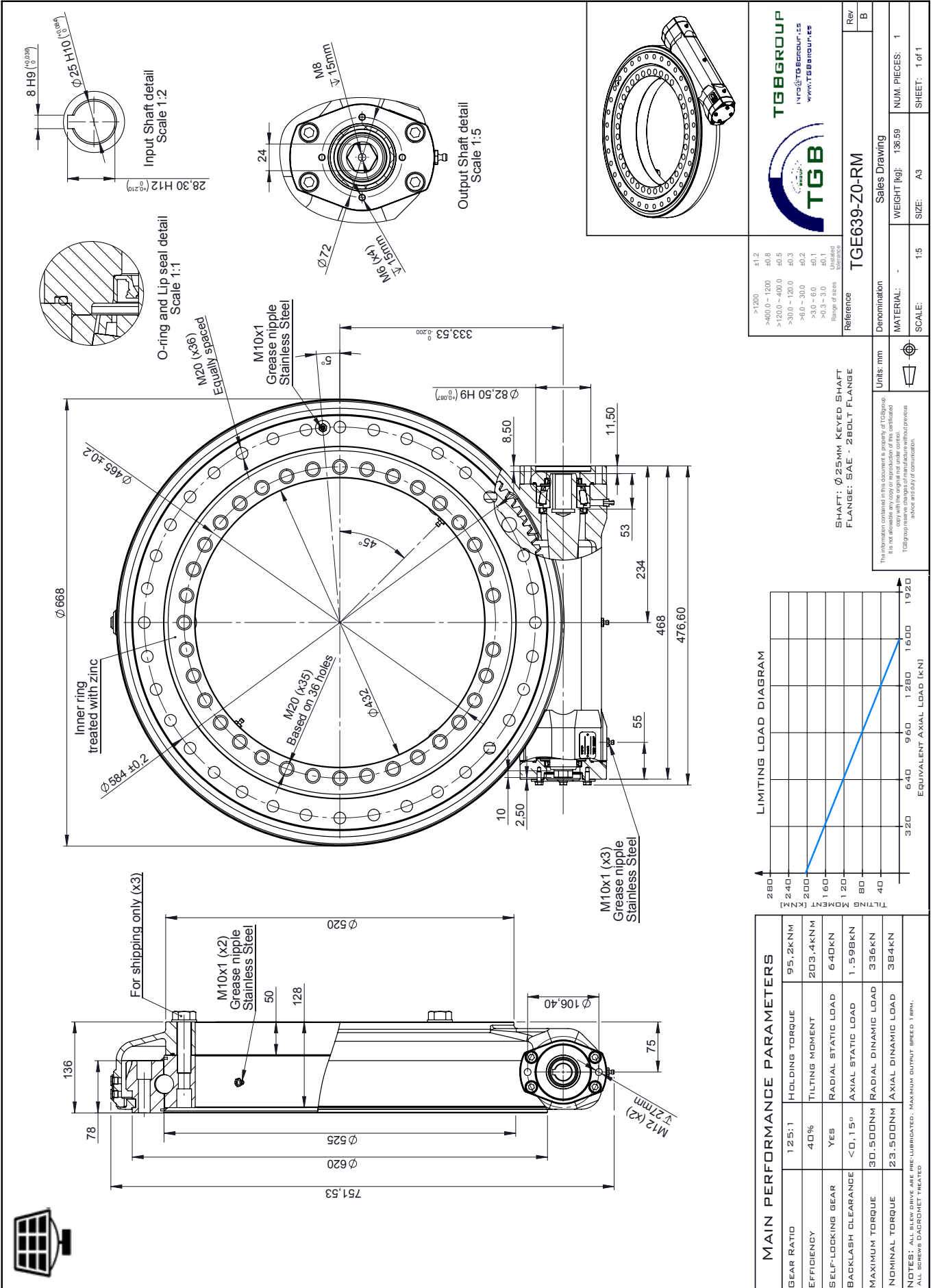


TGE SERIES

METRIC



TGB GROUP
info@tgbgroup.es
www.tgbgroup.es

TGB

Reference: **TGE639-Z0-RM**

Rev: B

Sales Drawing

WEIGHT [kg]: 136,59

NUM. PIECES: 1

MATERIAL: 15

SCALE: A3

SIZE: A3

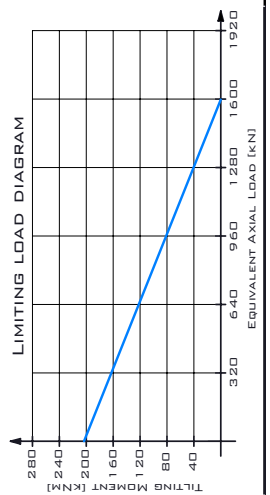
SHEET: 1 of 1

Units: mm

SAE - 2BOLT FLANGE

SHAFT: Ø 25MM KEYS

Reference: TGE639-Z0-RM



MAIN PERFORMANCE PARAMETERS

GEAR RATIO	125:1	HOLDING TORQUE	95,2kNm
EFFICIENCY	40%	TILTING MOMENT	203,4kNm
SELF-LOCKING GEAR	YES	RADIAL STATIC LOAD	640kN
BACKLASH CLEARANCE	< 0,15°	AXIAL STATIC LOAD	1,598kN
MAXIMUM TORQUE	30,500Nm	RADIAL DYNAMIC LOAD	336kN
NOMINAL TORQUE	23,500Nm	AXIAL DYNAMIC LOAD	384kN

NOTES: ALL BEW DRIVE ARE PRE-LUBRICATED. MAXIMUM OUTPUT SPEED 1800.
ALL BEW DRAGOMET TREATED