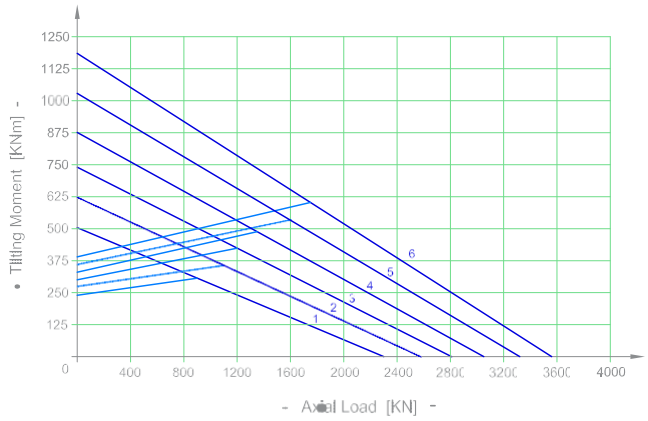
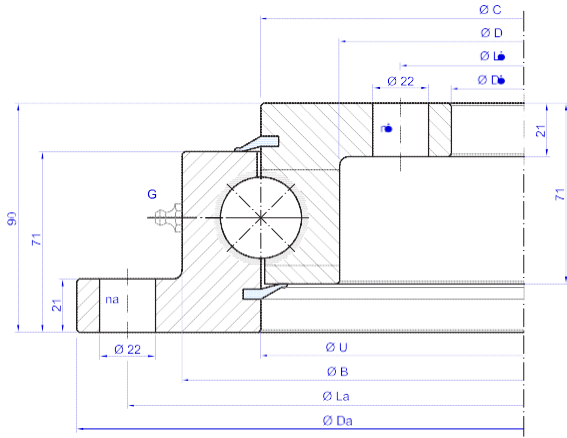


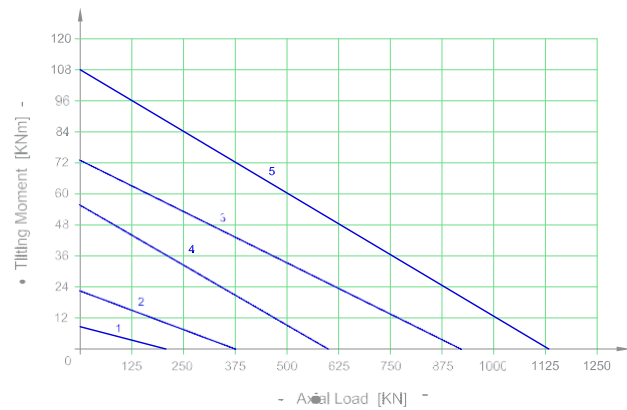
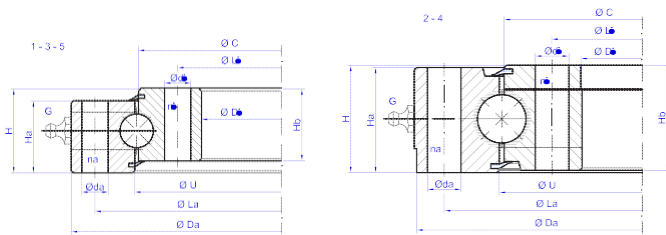
SD.32.C



Bearing Type	Dimensions						Fixing holes				Mass
	Da mm	B mm	U mm	C mm	D mm	Di mm	La mm	na n°	Li mm	ni n°	Weight KG
1 SD.1100.32.00.C	1100	1017	955	955	893	805	1060	30	845	30	131
2 SD.1200.32.00.C	1200	1117	1055	1055	993	905	1160	30	945	30	145
3 SD.1300.32.00.C	1300	1217	1155	1155	1093	1005	1260	36	1045	36	159
4 SD.1400.32.00.C	1400	1317	1255	1255	1193	1105	1360	42	1145	42	172
5 SD.1500.32.00.C	1500	1417	1355	1355	1293	1205	1460	42	1245	42	186
6 SD.1600.32.00.C	1600	1517	1455	1455	1393	1305	1560	48	1345	48	200

G = N°4 x Grease nipples DIN 71412 AM 8x1 equally-spaced Ask for a detailed drawing of the bearing, values may differ.

SD.14-20-25.D



Bearing Type	Dimensions							Fixing holes					Mass	
	Da mm	U mm	C mm	Di mm	Ha mm	Hb mm	H mm	La mm	na n°	da mm	Li mm	ni n°	di mm	Weight KG
1 SD.234.14.00.D.1	234	180,5	177,5	124,5	30	30	35	214	24-1	11	144,5	20	11	7
2 SD.329.20.00.D.1	327	262	258	192	44	44	45	305	16	14	215	16-1	14	18
3 SD.430.25.15.D.1	430	348	342	260	53	53	65	400	24	14	290	20	16	32
4 SD.475.20.00.D.1	474	404	403	336	44	44	45	450	24	14	360	24	14	30
5 SD.505.25.15.D.6	505	416,5	413,5	325	64,5	60	66	475	24	17	355	24	17	48

G = Number and position of the grease nipples, ask for a detailed drawing of the bearing Ask for a detailed drawing of the bearing, values may differ.