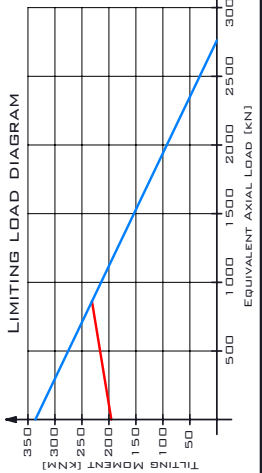
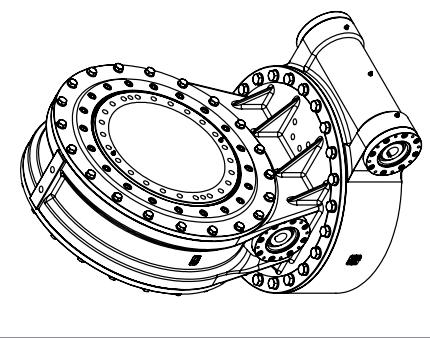
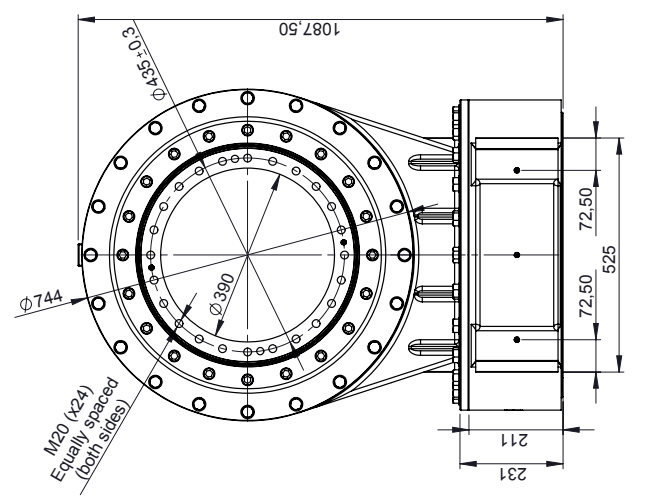
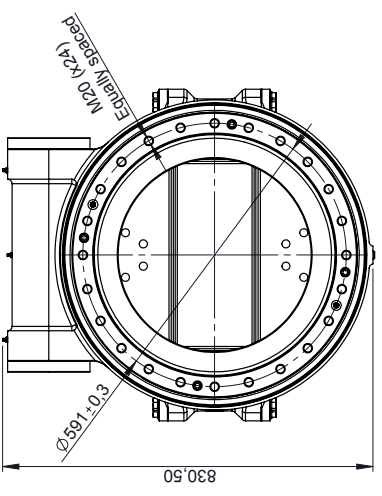
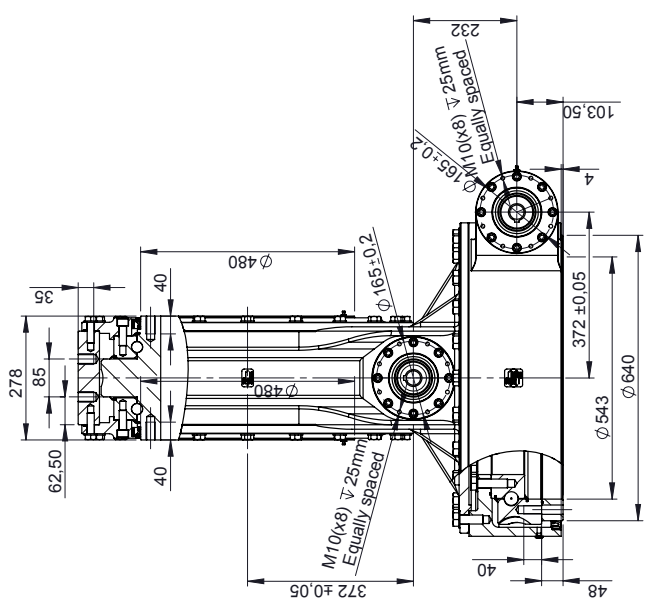
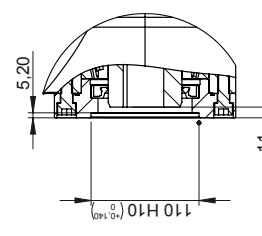
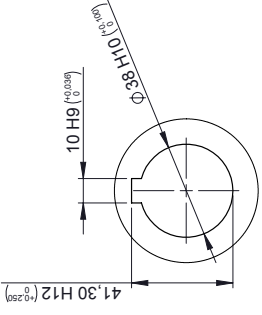
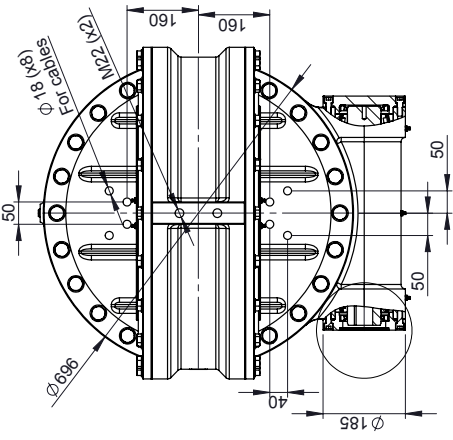


DAD SERIES



>1200	±1.2
>400.0 - 1200	±0.8
>120.0 - 400.0	±0.5
>30.0 - 120.0	±0.3
>6.0 - 30.0	±0.2
>3.0 - 6.0	±0.1
>0.3 - 3.0	±0.1
Range of sizes	Unlimited
	tolerance

Reference	DAD8S-Z0-RM	Rev	A
Denomination	Sales Drawing	NUM. PIECES:	1
MATERIAL:		WEIGHT [kg]:	926.12
SCALE:		SIZE:	
		SHEET:	1 of 1



MAIN PERFORMANCE PARAMETERS		
GEAR RATIO	80:1	HOLDING TORQUE 105kNm
EFFICIENCY	30%	TILTING MOMENT 340kNm
SELF-LOCKING GEAR	YES	RADIAL STATIC LOAD 1.242kN
BACKLASH CLEARANCE	<0.03°	AXIAL STATIC LOAD 2.755kN
MAXIMUM TORQUE	50,000Nm	RADIAL DYNAMIC LOAD 31.2kN
NOMINAL TORQUE	28,000Nm	AXIAL DYNAMIC LOAD 688kN

NOTES: ALL BEW DRIVE ARE PRE-LUBRICATED. MAXIMUM OUTPUT SPEED 1RPM.
INGRESS PROTECTION GRADE: IP 65

SHAFT: Ø 38MM KEYS SHAFT
 This drawing is for the design only. It is not to be used for manufacturing or reproduction of the original without the consent of TGB group. TGB group reserves the right to change the drawing without notice.

Units: mm

