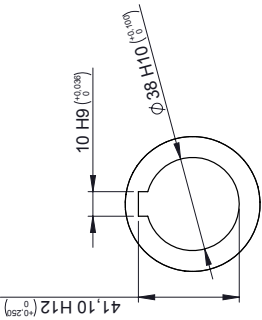
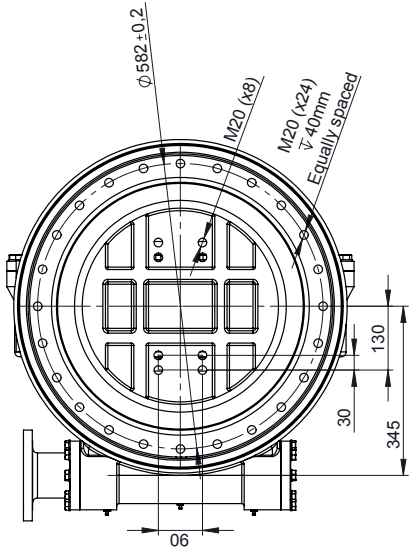
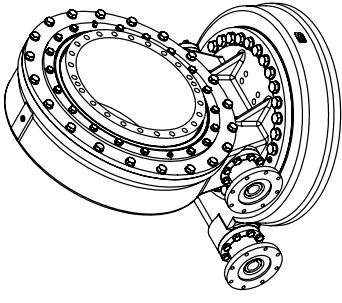
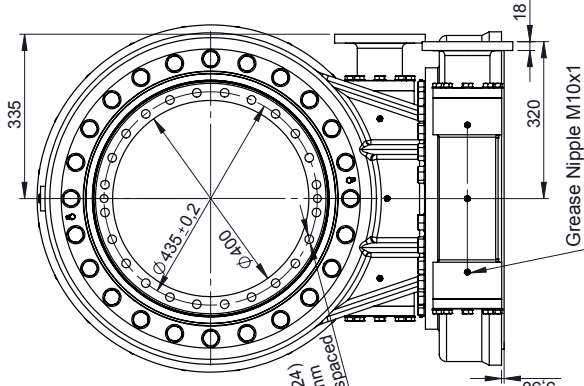
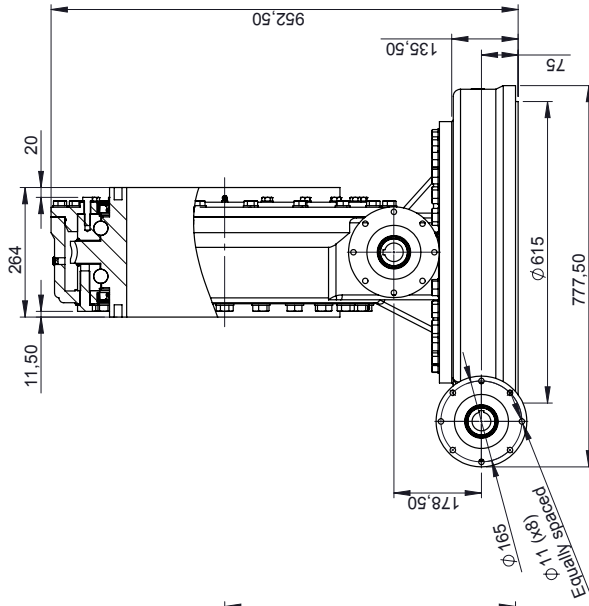
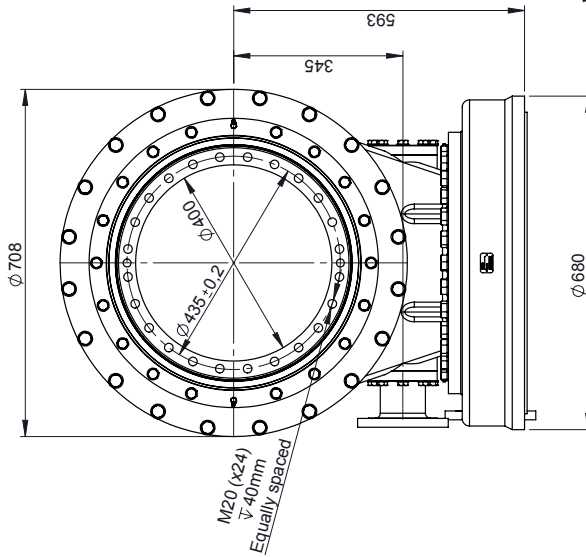


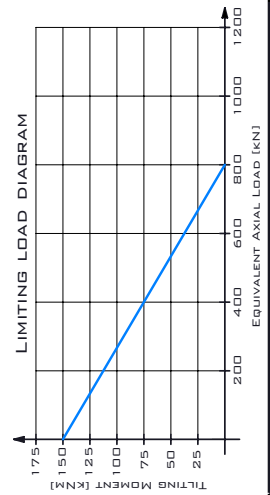
DAD SERIES



Input shaft detail
Scale 1:2



MAIN PERFORMANCE PARAMETERS	
GEAR RATIO	1.02:1
EFFICIENCY	34%
SELF-LOCKING GEAR	YES
BACKLASH CLEARANCE (<D, 5MRAD)	<0.03°
MAXIMUM TORQUE	50.000NM
IP	55
HOLDING TORQUE	84KNM
TILTING MOMENT	150KNM
RADIAL STATIC LOAD	315KN
AXIAL STATIC LOAD	800KN
RADIAL DYNAMIC LOAD	160KN
AXIAL DYNAMIC LOAD	380KN



TGB GROUP
NRC@TGBgroup.us
www.TGBgroup.us

Reference: **DAD6-Z0-LM**

Denomination: Sales Drawing

MATERIAL: -

SCALE: -

Units: mm

SHAFT: Ø38MM KEYS

The drawings are with the dimensions in millimeters (mm).
It is recommended to use metric units in all calculations.
Copy with the original manufacturer control.
TGBgroup reserves the right to change dimensions without previous
notification (kg) of communication.

Weight [kg]: 598.25

Size: -

NUM. PIECES: 1

SHEET: 1 of 1