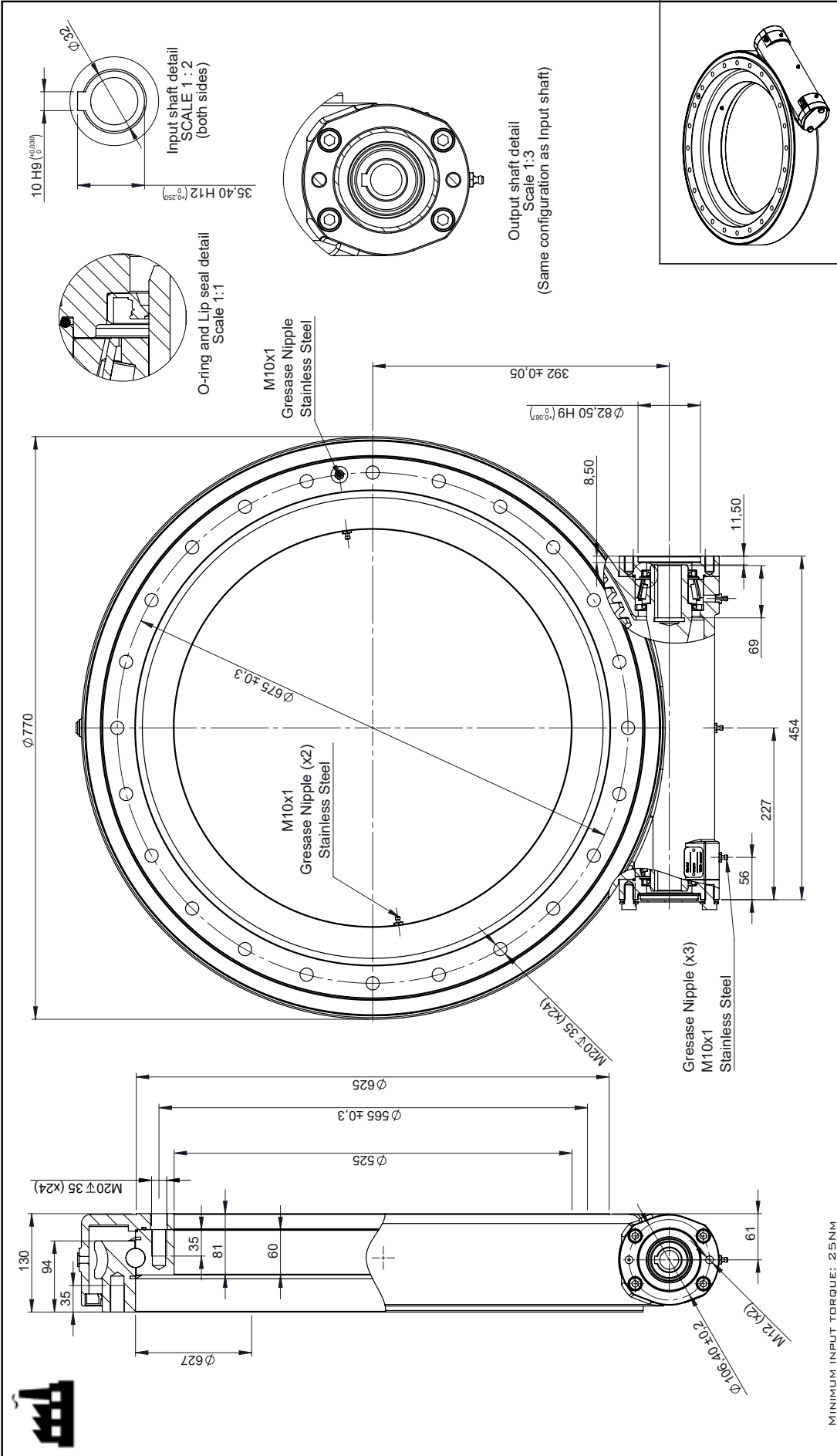


BE SERIES

METRIC



TGB GROUP
info@tgbgroup.es
www.tgbgroup.es

TGB

Reference: **BE700-Z1**

Denomination: **Sales Drawing**

MATERIAL: -

SCALE: 1:5

WEIGHT [kg]: 173.33

SIZE: A3

NUM. PIECES: 1

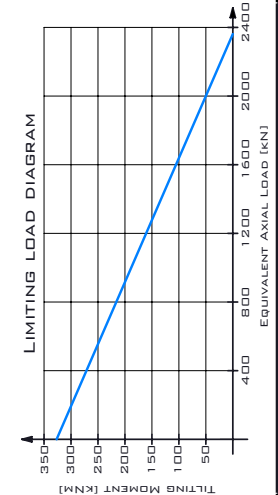
SHEET: 1 of 1

Rev: B

Units: mm

SHAFT: $\Phi 25\text{MM}$ KEYS SHAFT
FLANGE: SAE - 2BOLT FLANGE

The information on this sheet is the property of TGBgroup. It is not to be reproduced or used in any way without the express written consent of TGBgroup. TGBgroup reserves the right to change the specifications without previous notice. All dimensions are in millimeters unless otherwise specified.



MINIMUM INPUT TORQUE: 25NM

MAIN PERFORMANCE PARAMETERS	
GEAR RATIO	1.02:1
HOLDING TORQUE	42.8kNm
EFFICIENCY	40%
TILTING MOMENT	325kNm
SELF-LOCKING GEAR	YES
RADIAL STATIC LOAD	883kN
AXIAL STATIC LOAD	236.4kN
RADIAL DYNAMIC LOAD	280kN
AXIAL DYNAMIC LOAD	327kN

NOTES: ALL BEW DRIVE ARE PRE-LUBRICATED. MAXIMUM OUTPUT SPEED 1 RPM.
 STANDARD PAINT: FOR CORROSION CATEGORY C3-M - COLOR RAL 9005