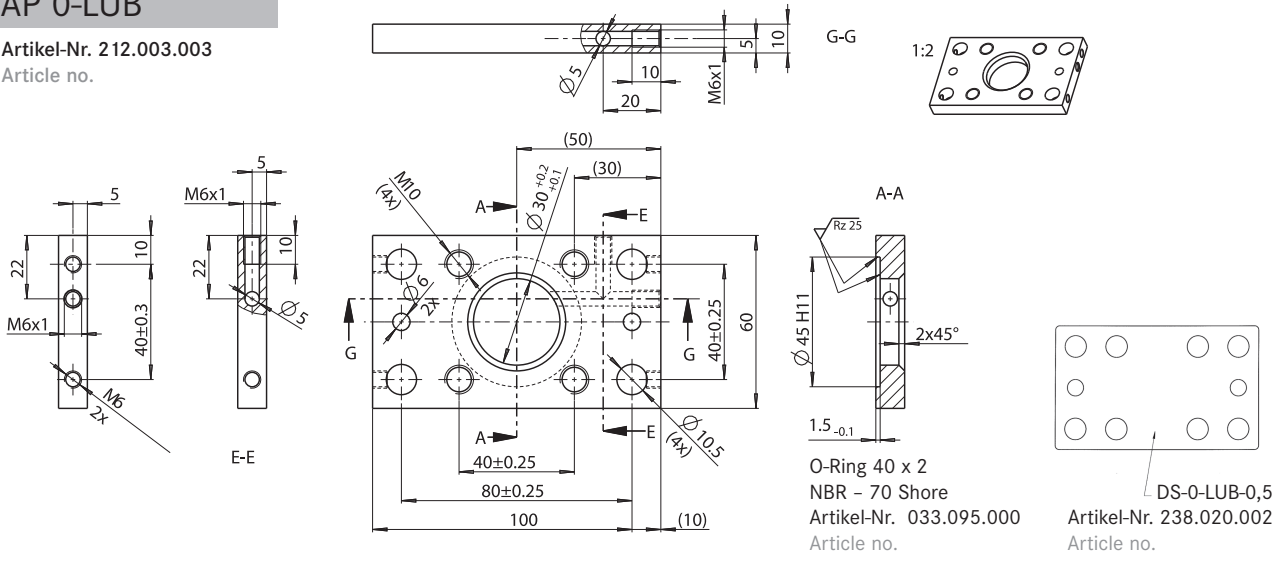


WINKEL-Rollen | WINKEL Bearings



AP 0-LUB

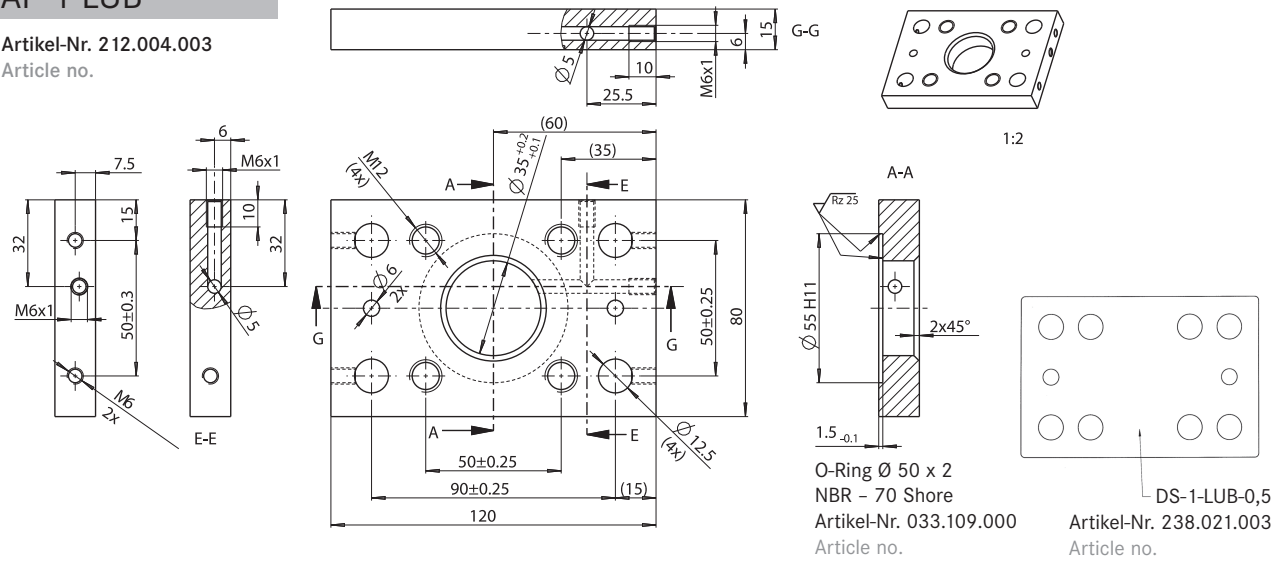
Artikel-Nr. 212.003.003
Article no.



Typ Type	WINKEL-Rolle mit AP WINKEL Bearing with AP	Artikel-Nr. Article no.	Profil Profile	h mm h mm	Gewicht AP Weight AP	Distanzbleche Washers
AP 0-LUB	2.054 + AP 0-LUB	205.061.015	Standard 0 NbV	26,5	0,35 kg	DS-0-LUB-0,5 238.020.002
	4.054 + AP 0-LUB	200.001.033	Standard 0 NbV	30,5		
	PR 2.054 + AP 0-LUB	205.071.006	PR 0 NbV	26,5		
	PR 4.054 + AP 0-LUB	200.100.013	PR 0 NbV	30,5		

AP 1-LUB

Artikel-Nr. 212.004.003
Article no.



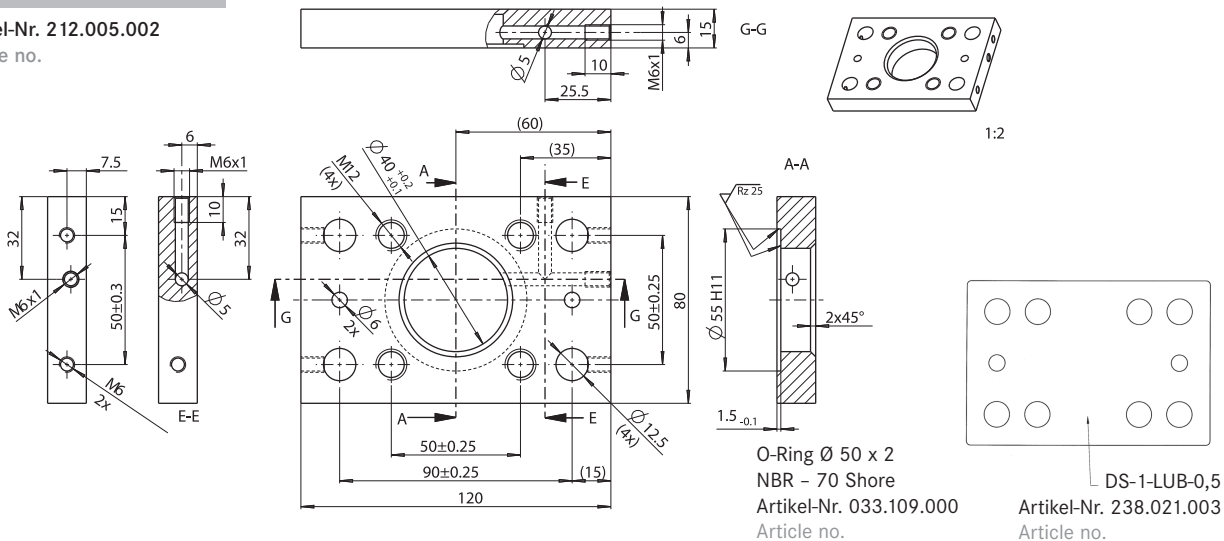
Typ Type	WINKEL-Rolle mit AP WINKEL Bearing with AP	Artikel-Nr. Article no.	Profil Profile	h mm h mm	Gewicht AP Weight AP	Distanzbleche Washers
AP 1-LUB	2.055 + AP 1-LUB	205.062.015	Standard 1 NbV	34,0	0,90 kg	DS-1-LUB-0,5 238.021.003
	4.055 + AP 1-LUB	200.002.040	Standard 1 NbV	36,0		
	PR 2.055 + AP 1-LUB	205.072.004	PR 1 NbV	34,0		
	PR 4.055 + AP 1-LUB	200.101.006	PR 1 NbV	36,0		

WINKEL-Rollen | WINKEL Bearings



AP 2-LUB

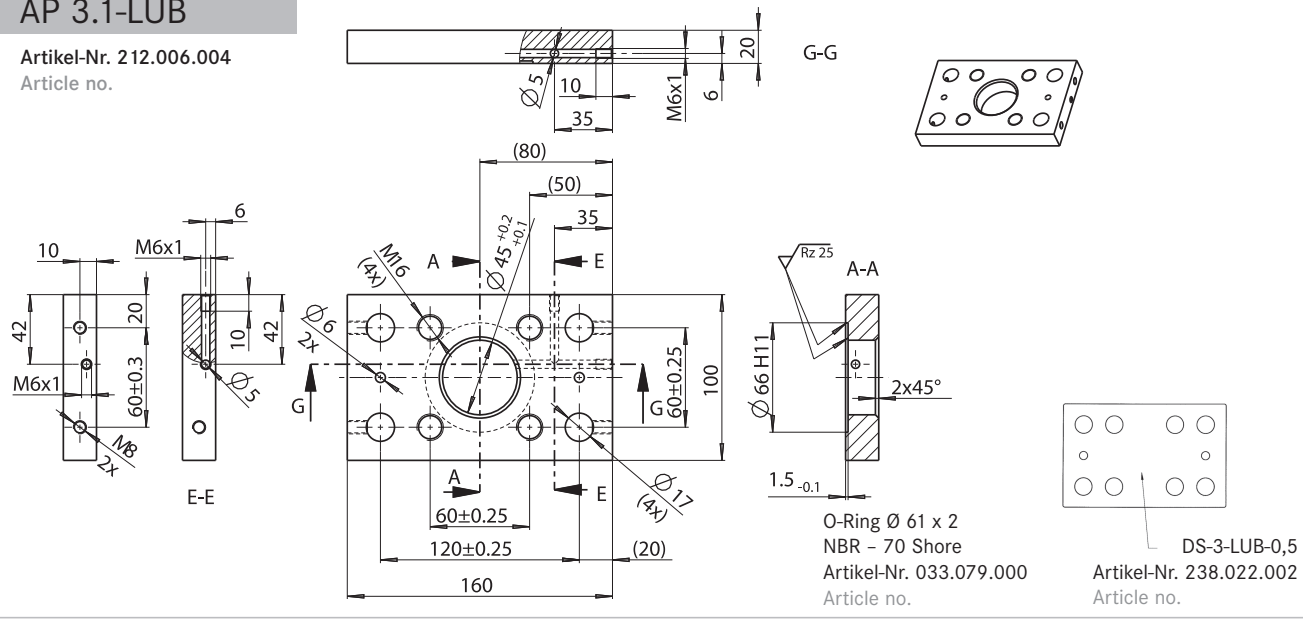
Artikel-Nr. 212.005.002
Article no.



Typ Type	WINKEL-Rolle mit AP WINKEL Bearing with AP	Artikel-Nr. Article no.	Profil Profile	h mm h mm	Gewicht AP Weight AP	Distanzbleche Washers
AP 2-LUB	2.056 + AP 2-LUB	205.063.007	Standard 2 NbV	34,0	0,85 kg	DS-1-LUB-0,5 238.021.003
	4.056 + AP 2-LUB	200.003.027	Standard 2 NbV	36,5		
	PR 2.056 + AP 2-LUB	205.073.005	PR 2 NbV	34,0		
	PR 4.056 + AP 2-LUB	200.102.001	PR 2 NbV	36,5		

AP 3.1-LUB

Artikel-Nr. 212.006.004
Article no.



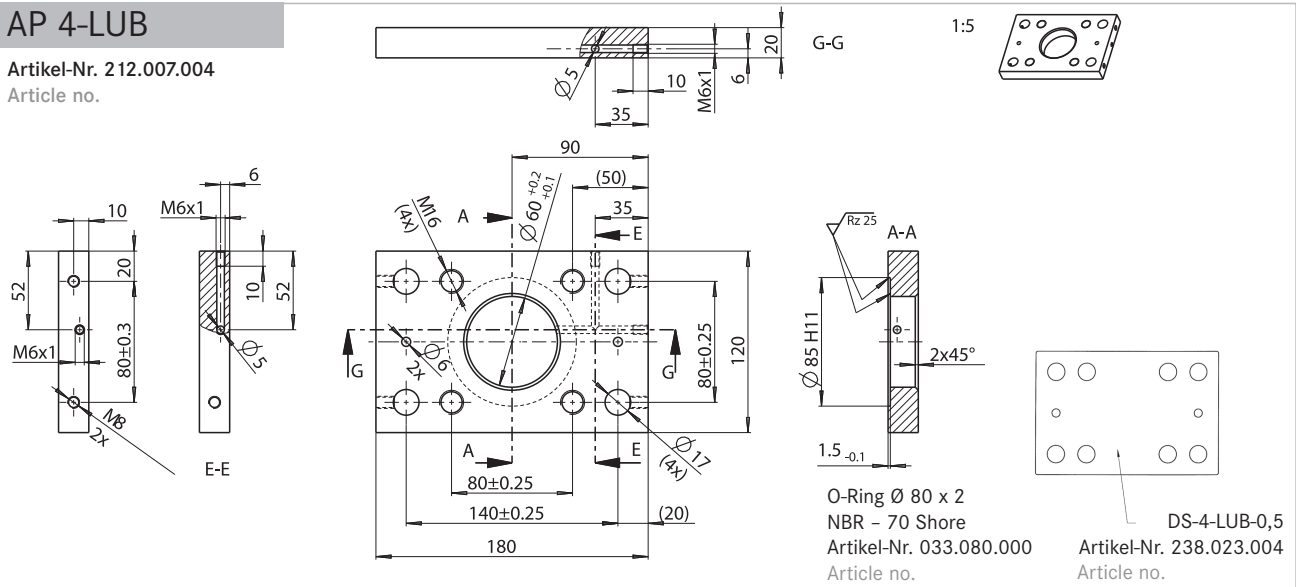
Typ Type	WINKEL-Rolle mit AP WINKEL Bearing with AP	Artikel-Nr. Article no.	Profil Profile	h mm h mm	Gewicht AP Weight AP	Distanzbleche Washers
AP 3.1-LUB	2.058 + AP 3.1-LUB	205.064.010	Standard 3 NbV	41,0	2,35 kg	DS-3-LUB-0,5 238.022.002
	4.058 + AP 3.1-LUB	200.005.025	Standard 3 NbV	44,0		
	PR 2.058 + AP 3.1-LUB	205.074.005	PR 3 NbV	41,0		
	PR 4.058 + AP 3.1-LUB	200.103.002	PR 3 NbV	44,0		

WINKEL-Rollen | WINKEL Bearings



AP 4-LUB

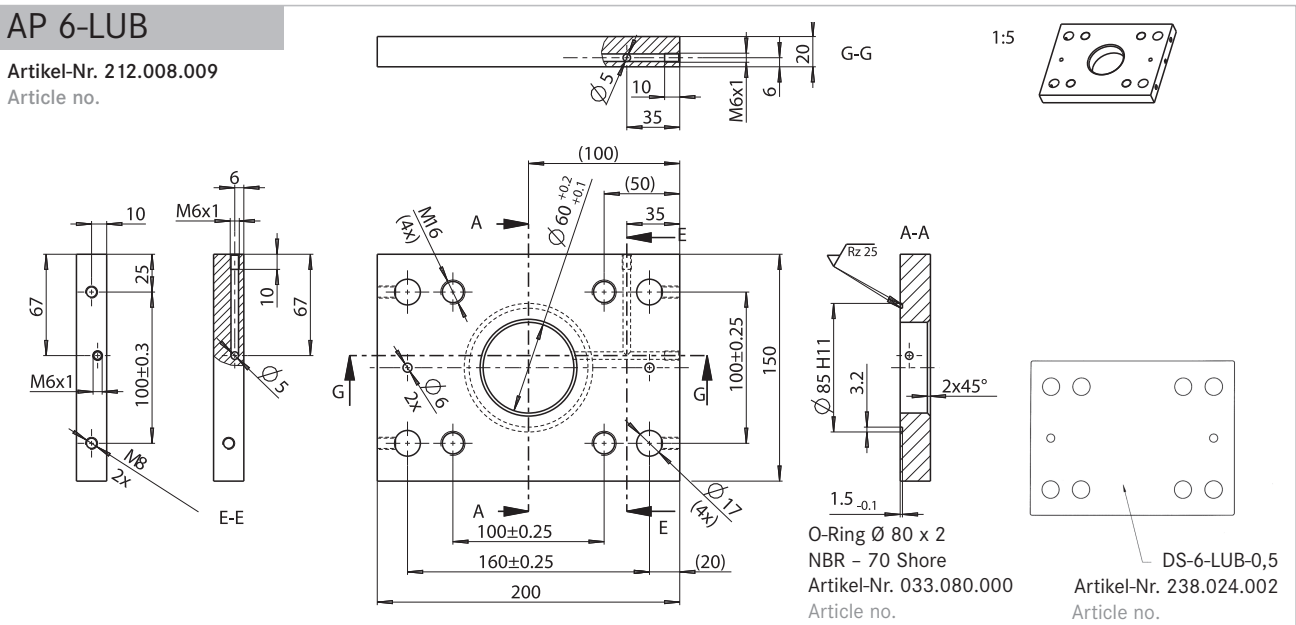
Artikel-Nr. 212.007.004
Article no.



Typ Type	WINKEL-Rolle mit AP WINKEL Bearing with AP	Artikel-Nr. Article no.	Profil Profile	h mm h mm	Gewicht AP Weight AP	Distanzbleche Washers
AP 4-LUB	2.061 + AP 4-LUB	205.065.007	Standard 4 NbV	51,5	2,65 kg	DS-4-LUB-0,5 238.023.004
	4.061 + AP 4-LUB	200.008.017	Standard 4 NbV	55,0		
	PR 2.061 + AP 4-LUB	205.075.005	PR 4 NbV	51,5		
	PR 4.061 + AP 4-LUB	200.104.006	PR 4 NbV	55,0		
	2.062 + AP 4-LUB	205.066.010	Standard 5 NbV	51,5		
	4.062 + AP 4-LUB	200.009.032	Standard 5 NbV	56,0		
	PR 2.062 + AP 4-LUB	205.076.005	PR 5 NbV	51,5		
PR 4.062 + AP 4-LUB	200.105.007	PR 5 NbV	56,0			

AP 6-LUB

Artikel-Nr. 212.008.009
Article no.



Typ Type	WINKEL-Rolle mit AP WINKEL Bearing with AP	Artikel-Nr. Article no.	Profil Profile	h mm h mm	Gewicht AP Weight AP	Distanzbleche Washers
AP 6-LUB	2.063 + AP 6-LUB	205.067.010	Standard 6 NbV	54,0	4,0 kg	DS-6-LUB-0,5 238.024.002
	4.063 + AP 6-LUB	200.010.048	Standard 6 NbV	58,5		
	PR 2.063 + AP 6-LUB	205.077.004	PR 6 NbV	54,0		
	PR 4.063 + AP 6-LUB	200.106.007	PR 6 NbV	58,5		